

DF125RTR零件目录图册

DF125RTR PARTS LIST



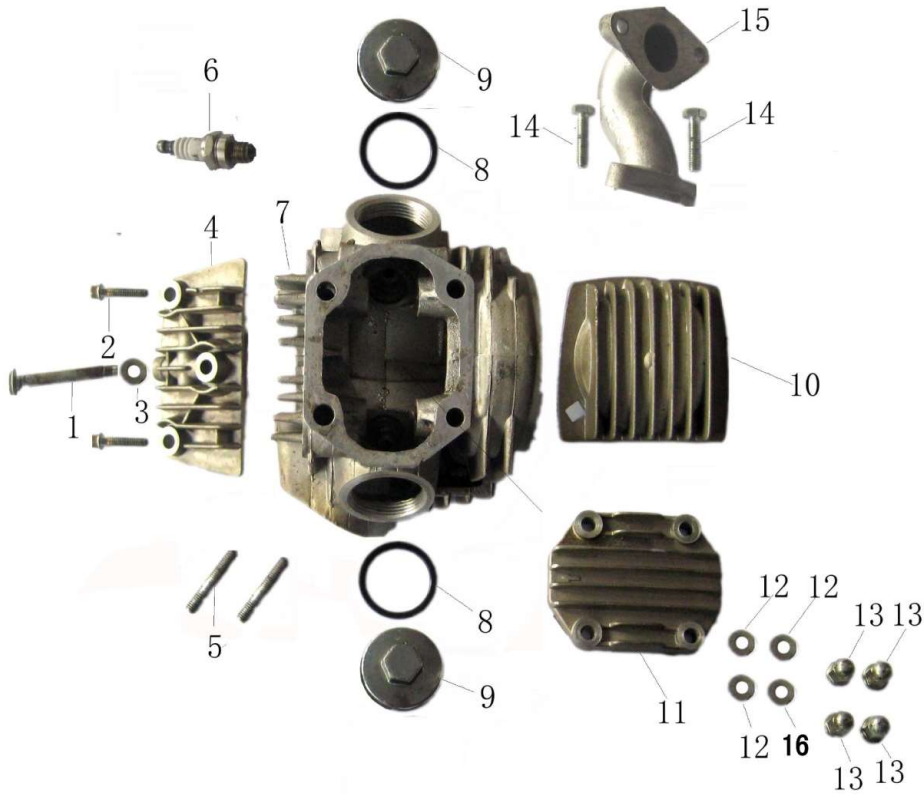
FOREWORD

When you are going to order parts you may take this booklet as reference but any differences please take the reality on vehicle as standard.

To find out the name, Item code or fitment you may check in the illustration with the size and appearance .Then with the no. in the illustration you will find out the name, item code and quantity.

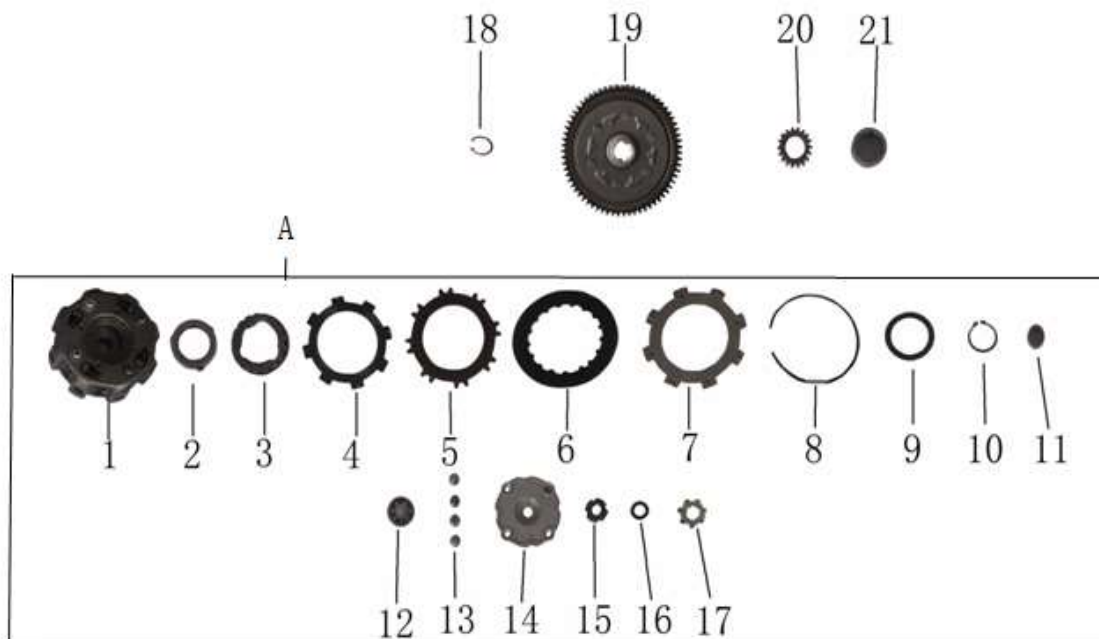
There will no notice to you ahead of any change of the information in this booklet.

气缸头部件 CYLINDER HEAD ASSY



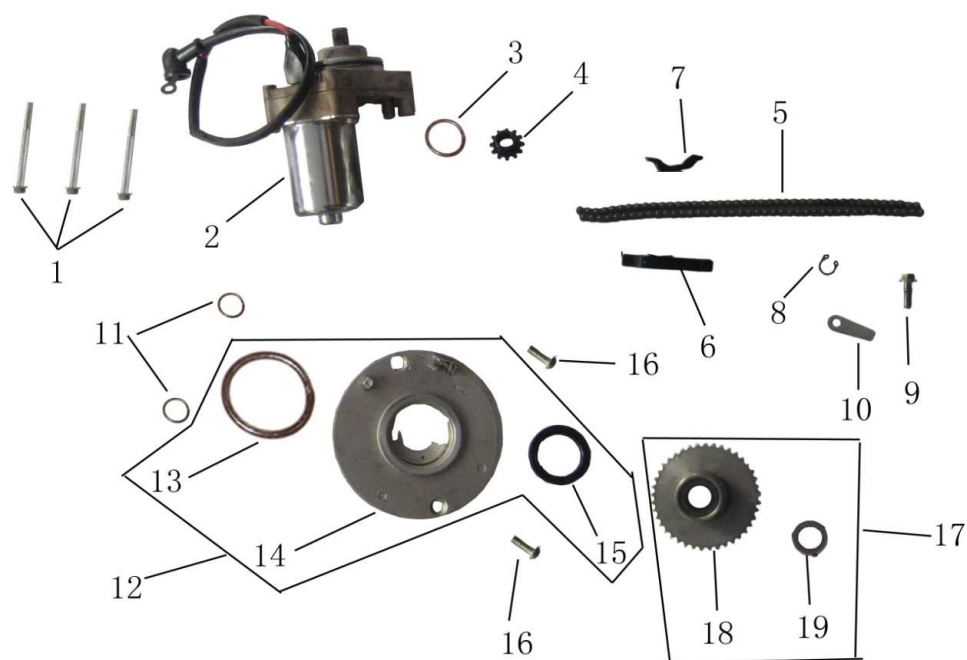
序 NO.	件号 Code name	中文名称 Chinese	英文名称 Description	数量 Q'ty	单价 ¥ \$	
1	231006-0101	左右盖连接螺栓M6×110	BOLT M6×110	1		
2	231006-0102	GB16674小盘螺栓M6×20	BOLT M6×20	2		
3	231006-0103	70铝垫圈6.5×1×12	WASHER 6.5×1×12	1		
4	231006-0104	C100-2#气缸头右盖组合	RIGHT COVER, CYLINDER HEAD	1		
5	231006-0105	缸头排气口双头螺栓M6×32	BOLT M6×32	2		
6	231006-0106	C100火花塞部件(A7TC)	SPARK PLUG	1		
7	231006-0107-2	C120(铝缸)气缸头组合	CYLINDER HEAD ASSY	1		
8	231006-0108	70气门盖O形圈29.6×3.2	O-RING 29.6×3.2	1		
9	231006-0109	70气门室盖(抛丸钝化)	COVER, VALVE CHAMBER	1		
10	231006-0111-2	C120(铝缸)气缸头左盖	LEFT COVER, CYLINDER HEAD	1		
11	231006-0111	C100气缸头上盖(抛丸钝化)	UPPER COVER, CYLINDER HEAD	1		
12	231006-0112	缸头盖铁垫圈7.3×2.5×14	WASHER 7.3×2.5×14	3		
13	231006-0113	C100缸头盖盖形螺母M6(兰白锌)	NUT M6	4		
14	231006-0114	GB5783螺栓M6×25(兰白锌)	BOLT M6×25	4		
15	231006-0115	90D进气管(JQ-4)	INLET PIPE	1		
16	231006-0116	缸头盖铜垫圈7.3×2.5×14	WASHER 7.3×2.5×14	1		
	23006-120	C120(铝缸)气缸头总成	CYLINDER HEAD ASSY	1		

离合器总成 CLUTCH ASSY



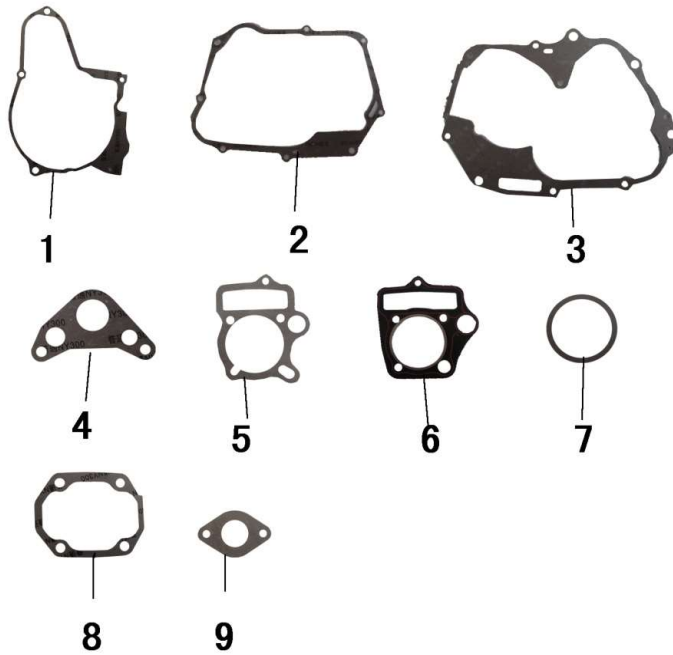
序	件号	中文名称	英文名称	数量	单价	
NO.	Code name	Chinese	Description	Q'ty	¥	\$
A	231006-0600	离合器总成	Clutch ASSY	1		
1	231006-0601	Z125-2#离合器主动盘组件	DRIVE PLATE COMP	1		
2	231006-0602	Z100离合器定心滑套	ALIGNING SLIDING BUSH	1		
3	231006-0603	Z125-2#离合器缓冲套	CLUTCH DASH POT SLIPCOVER	3		
4	231006-0604	Z125-2#离合器上板组合	CLUTCH TOP PLATE	1		
5	231006-0605	Z100离合器从动摩擦片	OUTER FRICTION DISK A	2		
6	231006-0606	Z100离合器主动摩擦片	DRIVE FRICTION DISK	1		
7	231006-0607	Z100离合器下板组合	CLUTCH BELOW PLATE	1		
8	231006-0608	70离合器挡圈	ELASTIC CHECK RING	1		
9	231006-0609	Z100离合器缓冲弹簧片	SHOCK ABSORBER PLATE	1		
10	231006-0610	GB894.1挡圈45	CIRCLIP 45	1		
11	231006-0611	70主动齿座圈衬套	SLEEVE	1		
12	231006-0612	轴承(6000)	BEARING (6000)	4		
13	231006-0613	GB819.2螺钉M5×12(白锌)	SCREW M5×12	1		
14	231006-0614	Z100离合器端盖	END COVER, CLUTCH	1		
15	231006-0615	70离合器锁紧螺母	LOCK NUT, CLUTCH	1		
16	231006-0616	70离合器碟形垫圈	DISH WASHER, CLUTCH	1		
17	231006-0617	Z100离合器端盖密封垫	GASKET, END COVER	1		
18	231006-0618	70主轴齿轮卡圈	CIRCLIP	1		
19	231006-0619	Z100从动齿组合	DRIVEN GEAR COMP	1		
20	231006-0620	Z100主动齿	PRIMARY DRIVE GEAR	1		
21	231006-0621	Z100主动齿轮轴套	AXLE SLEEVE	1		

电启动机构 ELECTRIC STARTING MECHANISM



序	件号	中文名称	英文名称	数量	单价	
NO.	Code name	Chinese	Description	Q'ty	¥	\$
1	231006-0504	GB16674小盘螺栓M6×50	BOLT M6×50	3		
2	231006-1501	启动电机部件(双线L:220)	STARTING MOTOR ASSY	1		
3	231006-1502	启动电机O形密封圈52.5×2	O-RING 52.5×2	1		
4	231006-1503	C100启动电机小链轮	SPROCKET	1		
5	231006-1504	启动链条组合(62节加厚)	STARTING MOTOR DRIVE CHAIN	1		
6	231006-1505	C100链条导板组合	ASSEMBLY, GUIDE PLATE	1		
7	231006-1506	C100链条护板组合	ASSEMBLY, CHAIN PROTECT PLATE	1		
8	231006-1507	GB894.1挡圈11	CIRCLIP 11	1		
9	231006-1508	GB5783螺栓M6×12(白锌)	BOLT M6×12	1		
10	231006-1509	C100启动链轮定位板	PLATE, START CLUTCH	1		
11	231006-1510	定子盘O形圈6.5×1.8	O-RING 6.5×1.8	2		
12	231006-1511	C100隔油盘组件	DISK INSULATOR	1		
13	231006-1512	C100隔油盘O形圈106.8×2	O-RING 106.8×2	1		
14	231006-1513	C100隔油盘	DISK INSULATOR	1		
15	231006-1514	定子盘油封30×42×4.5	OIL SEAL 30×42×4.5	1		
16	231006-1515	GB819.1螺钉M6×16(白锌)	SCREW M6×16	2		
17	231006-1516	C100-7#启动大链轮组件	PLATE GEAR ASSY	1		
18	231006-1517	C100-7#启动大链轮组合	PLATE GEAR ASSY	1		
19	231006-1518	C100链轮油封19×30×5	OIL SEAL 19×30×5	1		

纸垫、隔热垫 PAPER GASKET 、 ANTI-HEAT GASKET



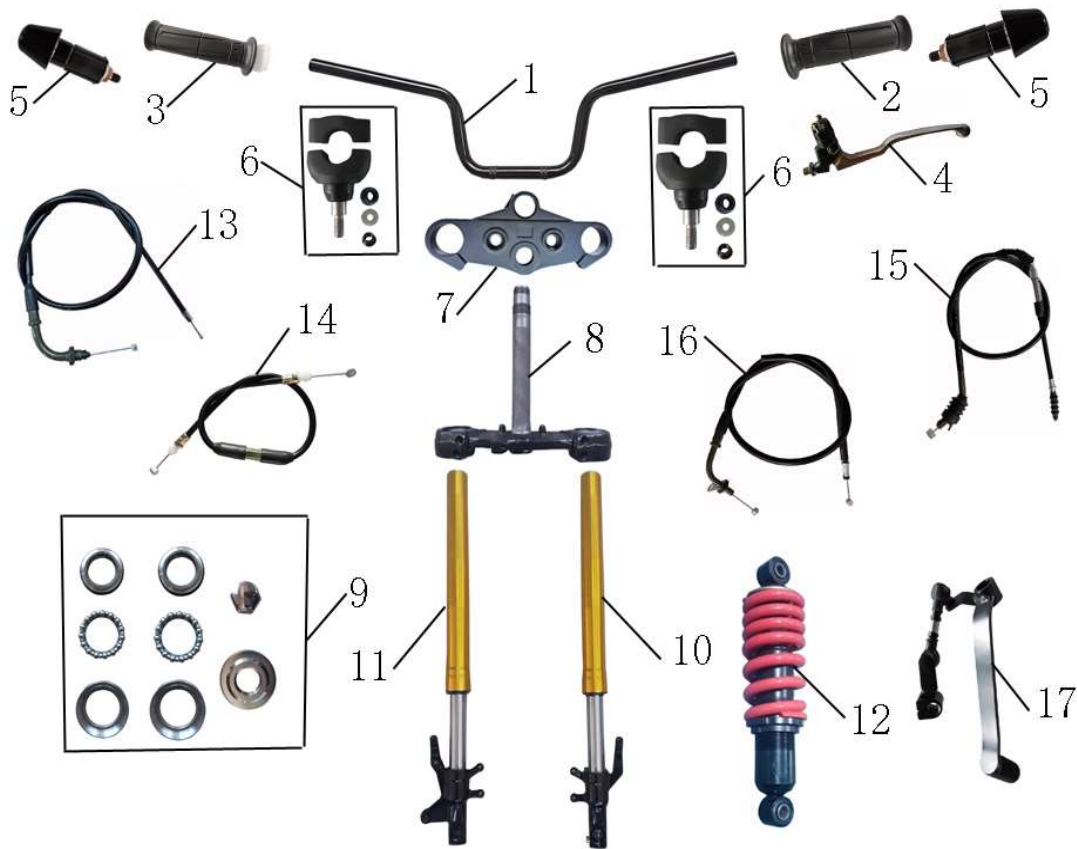
序	件号	中文名称	英文名称	数量	单价	
NO.	Code name	Chinese	Description	Q'ty		\$
1	231006-1601	左前盖纸垫	Front Cover Gasket (L.)	1		
2	231006-1602	右箱体纸垫	Right Block Gasket	1		
3	231006-1603	中箱体纸垫	Middle Block Gasket	1		
4	231006-1604	缸头左侧纸垫	Cylinder Head Gasket (L.)	1		
5	231006-0214-2	C120气缸体纸垫	110cc Cylinder Block Gasket (Aluminium)	1		
6	231006-0205-2	C120气缸头密封垫组合	110cc Cylinder Head Gasket Assy (Aluminium)	1		
7	231006-1605-2	C120缸头右侧纸垫	Cylinder Head Gasket (R.)	1		
8	231006-1606	缸头盖纸垫	Cylinder Head Cover Gasket	1		
9	231006-1607	进气管纸垫	Intake Manifold Gasket	1		

车架及车架附件 FRAME AND ACCESSORIES



序	件号	中文名称	英文名称	数量	单价 (Unit Price)	
NO.	Code name	Chinese	Description	Q'ty	¥	\$
1	0201-DF125RTR	车架	Frame ASSY	1		
2	02011364	电门锁支架	Bracket,main lock	1		
3	02011651	大灯支架	Bracket,headlight	1		
4	02012217	后平叉	Rear swing arm assy	1		
5		后平叉轴M12X300X1.25	Rear fork	1		
6		自锁螺母M12X1.25	Lock nut M12X1.25	1		
7	02012218	尾灯支架	Bracket,taillight	1		
8	02012219	后货架(16款)	Rear carrier	1		
9	02012151	牌照支架	Licence plate	1		
10	02050062	搁脚左	Left footrest	1		
11	02050063	搁脚右	Right footrest	1		
12	02990016	15轴用卡簧	15 axis circlip	2		
13	02012216	单撑	Side stand	1		
14	07020138	单撑弹簧	Spring,side stand	1		
15		单撑螺丝22xØ12x14xM10x1.25	Bolt,side stand 22xØ12x14xM10x1.25	1		
16	02011652	电瓶压板	Battery pressure plate	1		
17						

转向操纵系统 Steering control ASSY



序 NO.	件 号 Code name	中文名称 Chinese	英文名称 Description	数量 Q'ty	单价 (Unit Price)	
					¥	\$
1	02030282	方向把	Handle bar	1		
2	10020089	左把套 (通孔)	Handle grip,Left	1		
3	10020090	油门把套	Throttle Handle Grip	1		
4	10030004	离合器手柄组件	Clutch handle assembly	1		
5	10020091	平衡块	Balancer	2		
6	02030283	方向把卡座	Steering handle holder	2		
7	02030285	上联板	Upper coonection plate	1		
8	02030287	方向柱	Lower connecting plate	1		
9	12030052	钢碗	Steel bowl ASSY	1		
10	07010122-1	前减震左	Front suspension absorber(Left)	1		
11	07010122-2	前减震右	Front suspension absorber(Right)	1		
12	07010182	后减震器 (长度235mm)	Rear shock absorber (L:235mm)	1		
13	08020294	油门线 (L:630mm/78mm)	Throttle	1		
14	08020250	座垫拉线 (L:360mm/47mm)	Throttle	1		
15	08020296	离合器线 (L:930mm/68mm)	Clutch cable (L:930mm/68)	1		
16	08020295	风门线 (L:600mm/62mm)	Choke cable (L:600mm/62mm)	1		
17	02012000	换档杆	Gear shift lever	1		

前后刹车系统 Front and rear brake system



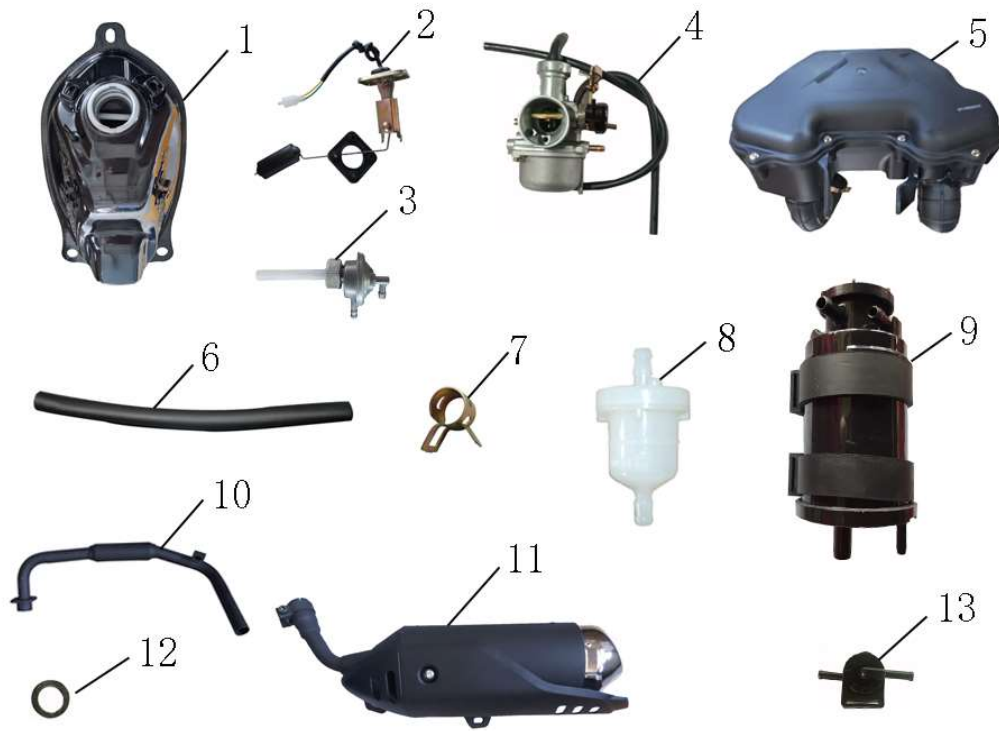
序	件号	中文名称	英文名称	数量	单价 (Unit Price)	
NO.	Code name	Chinese	Description	Q'ty	¥	\$
1	04010120	前碟刹总成	Front disc brake ASSY	1		
2		前碟刹上泵	Front disc brake upper pump	1		
3		前碟刹油管	Front disc brake oil pipe	1		
4		前碟刹下泵	Front disc brake lower pump	1		
5		前碟刹手柄	Front disc brake handle	1		
6	190043	方(形)碟刹开关	Micro Switch	1		
7		前刹车片	Rear Brake Pad	1 pairs		
8	04020062	碟刹盘 $\phi 158 \times \phi 220 \times \phi 78/4 - \phi 10.5$	Brake Disc (Front)	1		
9	12990030	碟刹管线夹	Clamp for brake hose	1		
10	04010121	后碟刹总成	Rear Disc Brake ASSY	1		
11		后碟刹油杯	Rear disc brake oil cup	1		
12		后碟刹开关	Rear disc brake switch	1		
13		后碟刹前泵	Rear disc brake front pump	1		
14		后碟刹油管	Rear disc brake oil pipe	1		
15		后碟刹后泵	Rear disc brake rear pump	1		
16	04020063	碟刹盘 $\phi 105 \times \phi 240 \times \phi 125/5 - \phi 10.5$	Brake Disc (Rear)	1		
17	190061	刹车片	Rear Brake Pad	1 pairs		
18	02011998	脚刹踏板	Brake pedal	1		

电器、电缆 Electrical parts, Wire



序 NO.	件 号 Code name	中文名称	英文名称	数量 Q'ty	单价 (Unit Price)	
		Chinese	Description		¥	\$
1	10080046	套锁	Lock Sets	1		
2	01020011	闪光器	Flasher	1		
3	01020028	高压包	Ignition Coil	1		
4	01020021	继电器	Relay	1		
5	10070001	普通喇叭	Horn	1		
6	08010145	电缆线	Harness	1		
7	01020083	整流器/8级直流	Rectifier	1		
8	10990001	电瓶	Battery	1		
9	10050095	仪表	Speedometer	1		
10	01020078	点火器	CDI	1		
11	10010125-1	左组合开关	Switch ASSY,Left	1		
12	10010125-2	右组合开关	Switch ASSY,Right	1		
13	09010080	大灯	Headlight	1		
14	09030065	尾灯	Taillight	1		
15	09020131	前左转向灯	Front Turnlight,Left	1		
16	09020132	前右转向灯	Front Turnlight,Right	1		
17	09020133	后左转向灯	Rear Turnlight,Left	1		
18	09020134	后右转向灯	Rear Turnlight,Right	1		
19	09030066	牌照灯	Licence light	1		

供给系统 SUPPLY SYSTEM



序	件号	中文名称	英文名称	数量	单价 (Unit Price)	
NO.	Code name	Chinese	Description	Q'ty	¥	\$
1	01030025	化油器	Carburetor	1		
2	10040091	油位传感器	Fuel sensor	1		
3	10060016	油箱开关	Fuel switch	1		
4	01030025	化油器	Carburetor	1		
5	01040048	空滤器	Air cleaner	1		
6	06030002	汽油管Ø4.5*8.5	Oil tubeØ4.5*8.5	1		
7	12010007	油管夹	Clamp for oil tube	4		
8	06990001	二级过滤器	Oil filter	1		
9	01990066	碳罐	Carbon canister	1		
10	01050095-1	消声器前管	Front pipe of muffler	1		
11	01050095-2	消声器筒体	Silencer cylinder	1		
12	01990024	石棉垫	Asbestos pad	1		
13	01990043	阻断阀	blocked valve	1		

前后轮 FRONT&REAR WHEEL



序	件号	中文名称	英文名称	数量	单价	
NO.	Code name	Chinese	Description	Q'ty	¥	\$
1	02040395	前轮毂	Front rim	1		
2		前轮轴M12X1.25	Front wheel axle	1		
3	15010046	前轮轴套 (Ø12.5XØ25X29)	Bush,front wheel	1		
4		前轮轴自锁螺母M12X1.25	Lock nut,front wheel	1		
5	10040102	车速传感器	Speed sensor	1		
6	06010058	前轮胎120/70-12(带气门)	Front tyre 120/70-12	1		
7	02040396	后轮毂	Rear rim	1		
8		后轮轴	Rear wheel axle	1		
9		后轮轴套1	Bush1,rear wheel	1		
10		后轮轴套2	Bush2,rear wheel	1		
11		后轮轴自锁螺母M12	Lock nut,rear wheel	1		
12	02040398	链轮座	Sprocket seater	1		
13	02040397	后牙盘	Rear Sprocket	1		
14	06020175	反冲块 (4块)	Rubber bumper	1		
15	06010059	后轮胎130/70-12(带气门)	Rear tyre 130/70-12	1		
16	190225	气门嘴	Tire valve	2		
17	02040399	链条 (428H, 100节)	Chain (428H,100L)	1		

