

200ATS零件目录图册

200ATS PARTS LIST



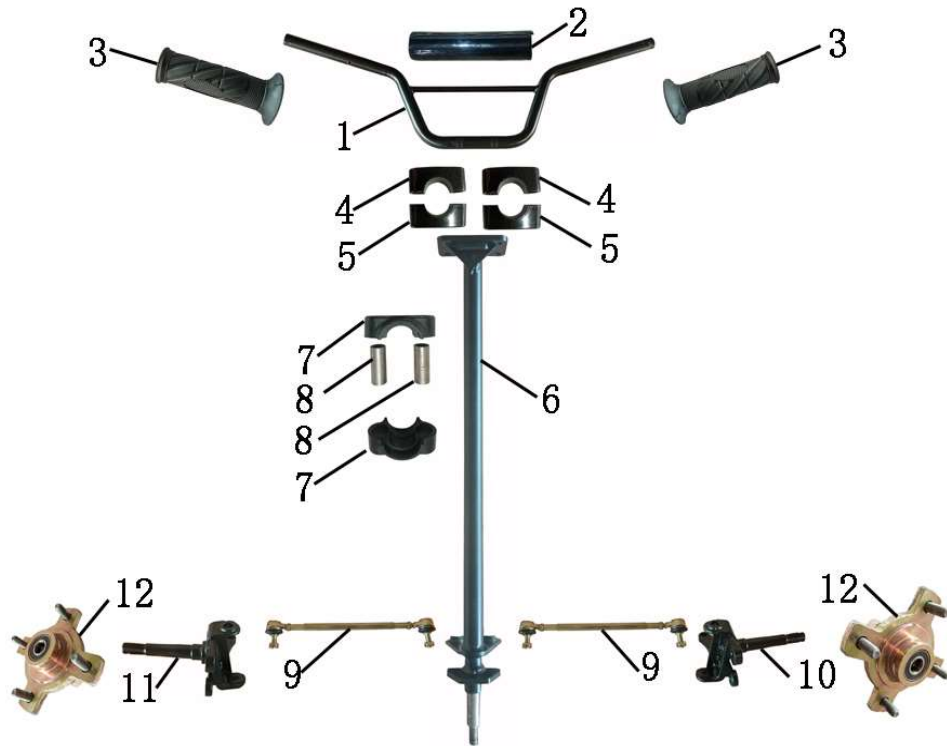
FOREWORD

When you are going to order parts you may take this booklet as reference but any differences please take the reality on vehicle as standard.

To find out the name, Item code or fitment you may check in the illustration with the size and appearance .Then with the no. in the illustration you will find out the name, item code and quantity.

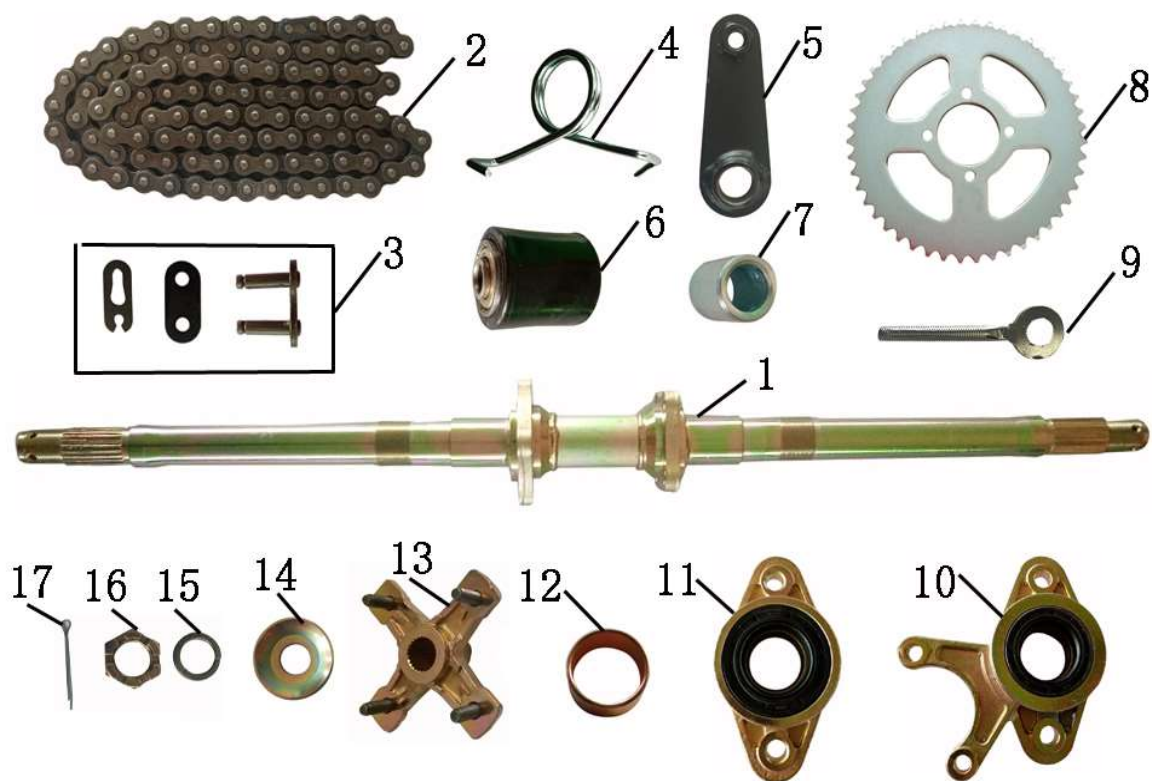
There will no notice to you ahead of any change of the information in this booklet.

转向系统 Steering System



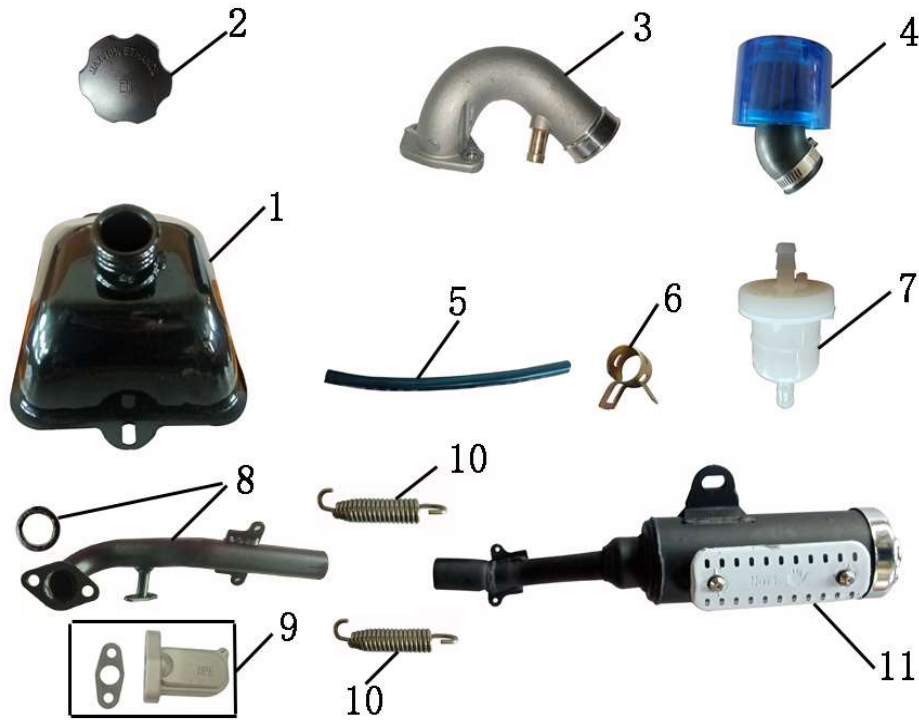
序	件号	中文名称	英文名称	数量	单价 (Unit Price)	
NO.	Code name	Chinese	Description	Q'ty	¥	\$
1	02012109	方向把	Handle bar	1		
2	06990077	防撞套	Anti-collision sleeve	1		
3	10020058	把套	Handle grip	2		
4	02030072	方向把卡子	Steering handle clip	2		
5	02030073	方向把卡座	Steering handle holder	2		
6	02012108	方向柱	Steering column	1		
7	03030940	方向柱压块	Steering column pressure block	2		
8	14050929	圆管 (方向柱衬套)	Bush,steering column	2		
9	02030808	转向拉杆 (L:235, M10)	Steering tie rod (L: 235, M10)	2		
10	02030809	前转角 (L)	Front corner (L)	1		
11	02030810	前转角 (R)	Front corner (R)	1		
12	02040377	前轮毂座组件	Front hub Assy	2		
13						
14						
15						
16						
17						
18						

后轴总成 Rear Axle ASSY



序 NO.	件 号 Code name	中文名称 Chinese	英文名称 Description	数量 Q'ty	单价 (Unit Price)	
					¥	\$
1	02040438	后桥轴	Rear Axle	1		
2	02040159	链条 (530-126节)	Chain (530-126Links)	1		
3	02040160	链条接头 (530)	Chain Lock Link (530)	1		
4	07020136	张紧器扭簧	spring; chain tensioner	1		
5	02012180	张紧器摇臂组件	Tensioner rocker assembly	1		
6	06990100-1	拖轮组件	Tugboats ASSY	1		
7	14020773	张紧器摇臂/内衬套	Bush,Tensioner rocker	1		
8	02040375	牙盘	Sprocket	1		
9	02012167	调链器	Chain adjuster	1		
10	02040426	轴承座 (左)	Bearing seater(left)	1		
11	02040427	轴承座 (右)	Bearing seater(right)	1		
12	14020772	后轴衬套	Bush ,rear axle	2		
13	02040105	后轮毂座	Rear wheel hub seat	2		
14	02011053	碗型垫片	Bowl washer	2		
15		弹垫M16	Spring Washer M16	2		
16		开槽螺母M16	Slotted Nut M16	2		
17		开口销3.0*40	Pin 3.0-40	2		
18						
19						
20						

供给系统 OIL SUPPLY SYSTEM



序 NO.	件 号 Code name	中文名称 Chinese	英文名称 Description	数量 Q'ty	单价 (Unit Price)	
					¥	\$
1	5030069	铁油箱	Fuel tank	1		
2	05050015	油箱盖	Cap,fuel tank	1		
3	1040051	空滤器连接管	Connection rod ,air filter	1		
4	1040040	空滤器	Air Filter	1		
5	06030002	汽油管4.5*8.5(38CM)	Gasoline pipe(4.5*8.5)38CM	1		
6	12010007	油管夹8.5	Tubing clamp 8.5	3		
7	06990001	二级过滤器	Secondary Filter	1		
8	01050100	消声器前管	Exhaust Pipe	1		
9	1990062	DPE补气阀	DPE air make-up valve	1		
10	07020102	消声器拉簧(L:60, φ2)	Tension spring (L:60, φ2)	2		
11	01050015-2	消声器	Muffler Cylinder	1		
12						
13						
14						
15						
16						
17						
18						
19						
20						

