

DF250RT-20 零件目录图册

DF250RTB-20 PARTSLIST



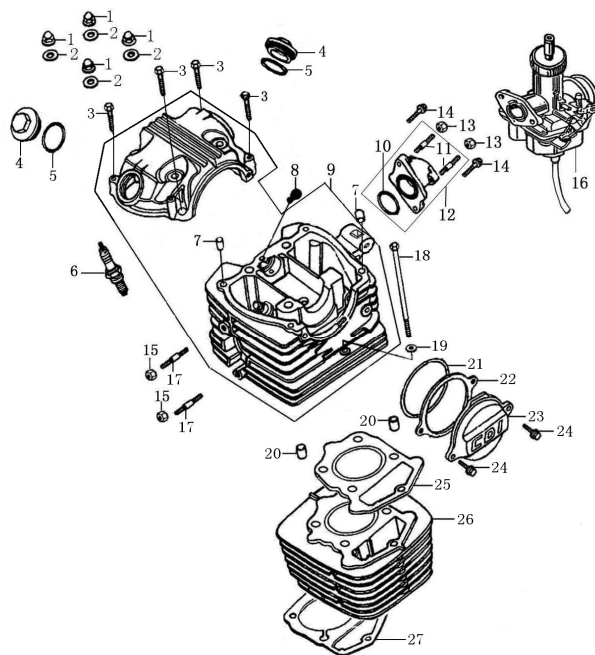
FOREWORD

When you are going to order parts you may take this booklet as reference but any differences please take the reality on vehicle as standard. To find out the name, Item

code or fitment you may check in the illustration with the size and appearance .Then with the no. in the illustration you will find out the name, item code and quantity.

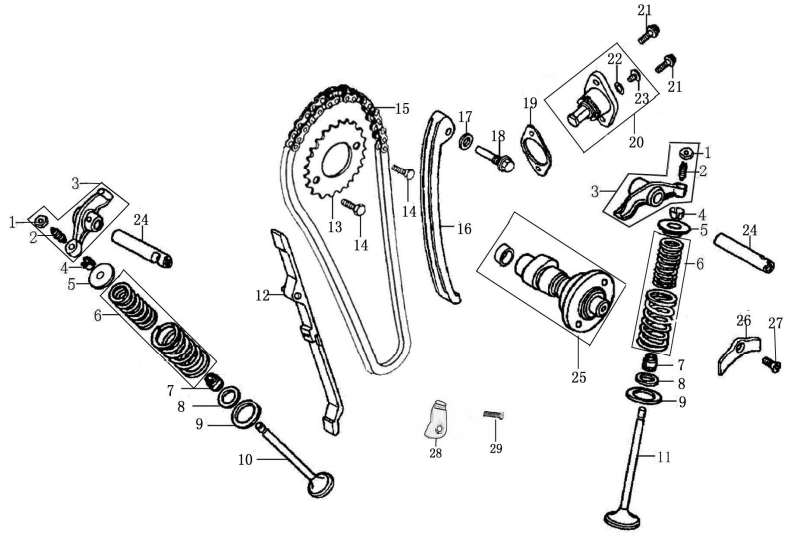
There will no notice to you ahead of any change of the information in this booklet.

气缸头部件/气缸体部件Cylinder Head ASSY/Cylinder ASSY



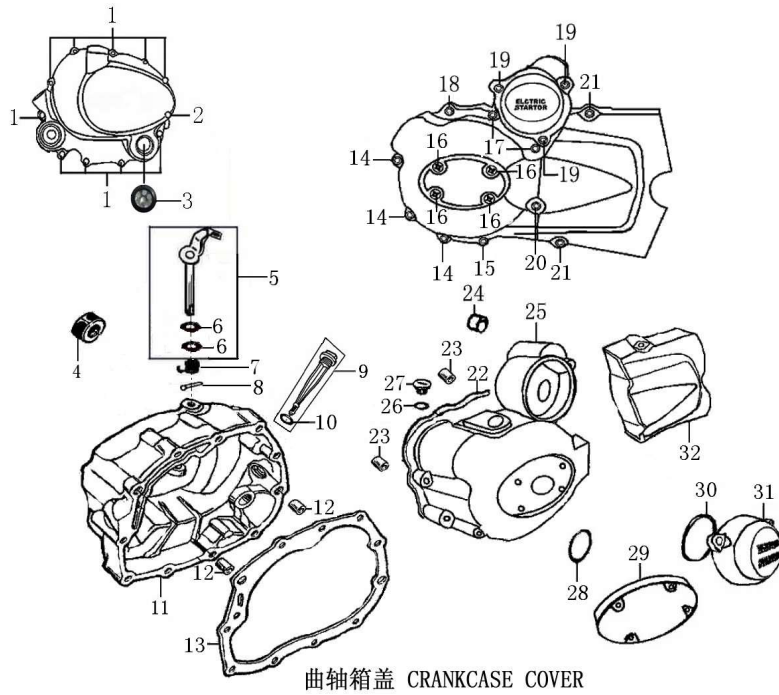
序	件号	中文名称	英文名称	数量	单价	
NO.	Item Code	Chinese	Description	Q'ty	¥	\$
1	91201-I006-00000X	CB125脚缸头盖盖形螺母M8(白铬)	Cap Nut M8	4		
2	93301-80852018000	CB125盖形螺母铜垫圈8.5×2×18	Cap Nut Copper Washer 8.5×2×18	4		
3	B166740A06003570X	GB16674小盘螺栓M6×35(兰白锌)	Bolt M6×35	4		
4	11230-I006-00000G	CB125脚气门室盖(6806)	Cover, Valve Chamber	2		
5	90101-20350000300	CB125气门盖O形圈35×3(氟硅胶)	Valve Cover O-ring 35×3	2		
6	81300-I006-0000	CB125脚火花塞部件(CB125脚)	Spark Plug	1		
7	91521-08001400000	70定位销8×14×6.3	Pin 8×14×6.3	2		
8	11015-I006-0000	CB125脚橡胶油塞	Casing Cap	1		
9	1122B-ME05-000086	CB250D-G气缸头组合(环保II代 6806)M8/58	Cylinder Head Assy	1		
10	90101-20335000300	CB125进气管O形圈33.5×3(氟硅胶)	Inlet Pipe O-ring 33.5×3	1		
11	91127-I006-0000	CB125脚进气管双头螺栓(普通 L:27mm)	Inlet Pipe Stud Bolt	2		
12	15800-L044-0041	CB200进气管组合(JQ-9XHB)	Inlet Pipe Assy	1		
13	B061700006000090X	GB6170螺母M6(兰白锌)	Nut M6	2		
14	B057830006002070X	GB5783螺栓M6×20(兰白锌)	Bolt M6×20	2		
15	B061700008000090X	GB6170螺母M8(兰白锌)	Nut M8	2		
17	91138-I008-01000X	CG125D缸头排气口双头螺栓M8×38(兰白锌)	Stud Bolt M8×38	2		
18	B166740A06012570X	GB16674小盘螺栓M6×125(兰白锌)	Bolt M6×125	1		
19	93301-3062201300B	70缸头盖铁垫圈6.2×2×13(白锌)	Washer 6.2×2×13	1		
20	91521-10002000000	CG125脚定位销10×20	Pin 10×20	2		
21	90101-20750000265	CB125气缸头左盖O形圈75×2.65(氟硅胶)	Cylinder Head O-ring 75×2.65	1		
22	90202-I006-0000	CB125脚气缸头左盖密封垫	Cylinder Head Gasket	1		
23	11227-I006-100186	CB125脚气缸头左盖(老款)CDI 6806	Left Cover of Cylinder Head	1		
24	B166740A06002070X	GB16674小盘螺栓M6×20(兰白锌)	Bolt M6×20	2		
25	9022B-ME05-0000	CB250D-G气缸头密封垫组合(金属)	Cylinder Head Gasket Assy	1		
26	1110B-ME05-000086	CB250D-G气缸体部件(缸标250 6806)	Cylinder Block Assy	1		
27	90205-J025-0000	CB150D气缸体密封垫	Cylinder Block Gasket Assy	1		

配气机构Camshaft & Valves



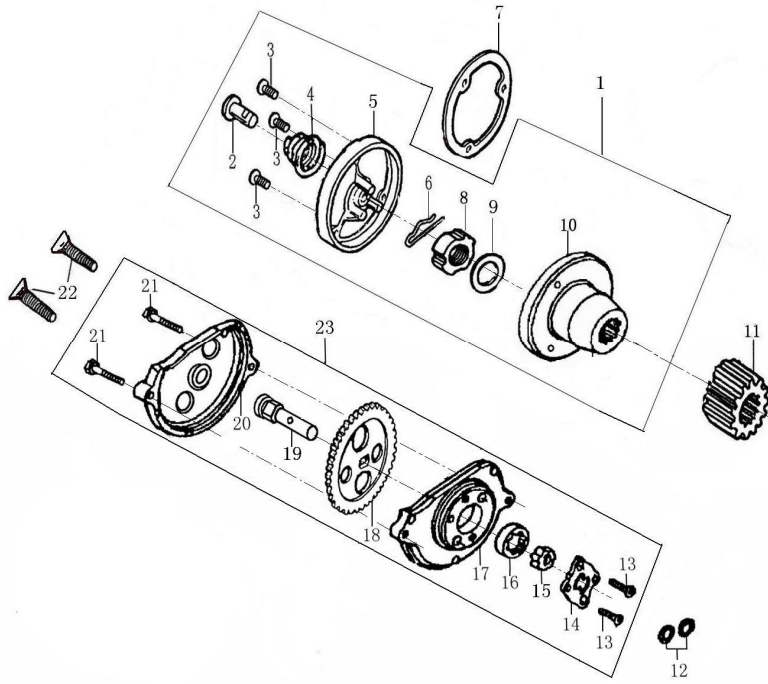
序	件号	中文名称	英文名称	数量	单价	
NO.	Item Code	Chinese	Description	Q'ty	¥	\$
1	15403-I006-0000	CB125脚气门间隙调节螺母	Nut, valve Clearance	2		
2	15404-I006-0000	CB125脚气门间隙调节螺钉	Screw, Valve Clearance	2		
3	1540A-I006-0000	CB125脚气门摇臂组合	Rocker Arm ASSY, valve	2		
4	15707-I006-0000	CB125脚气门锁夹	Valve Locker	4		
5	15705-I006-0000	CB125脚气门弹簧座(上)	Spring Seat(upper)	2		
6	15710-I006-0000	CB125脚气门内外弹簧组合	Inner Out Spring Assy	2		
7	1572B-I008-0000	CG125D挡油罩组合	Seal, Valve Stem	2		
8	15708-I008-0000	CG125D气门内弹簧座圈(下)	Spring Seat(lower)	2		
9	15706-I008-0000	CG125D气门外弹簧座圈(下)	Spring Seat(lower)	2		
10	15702-LA74-0000	CB200-C排气门(堆焊合金)	Exhaust Valve	1		
11	15701-LA74-0000	CB200-C进气门	Intake Valve	1		
12	1553A-ME05-0000	CB250D-G链条导向板组合	Chain Guide Plate	1		
13	15301-L044-0000	CB200正时从动链轮(34)	Timing Driven Sprocket	1		
14	B057830006001270B	GB5783螺栓M6×12(白锌)	Bolt M6×12(white zinc)	2		
15	1532B-ME05-0000	CB250D-G正时链条组合(7×104 齿形链)	Sprocket Chain	1		
16	1552A-ME05-0000	CB250D-G链条张紧板组合	Tension Plate ASSY	1		
17	93301-70851514000	70导向销轴铝垫圈8.5×1.5×14	Washer 8.5×1.5×14	1		
18	91109-I006-00000X	CB125脚张紧条芯轴螺栓(白铬)	Tensioner Axle Bolt	1		
19	90211-I049-0000	CB125D张紧器密封垫	Tensioner Gasket	1		
20	1554B-I049-000086	CB125D张紧器组合(6806)	Tensioner Assy	1		
21	B000700106001670X	GB70.1螺钉M6×16(兰白锌)	Bolt M6×16	2		
22	90101-20090000180	CB125张紧器O形圈9×1.8(氟硅胶)	Tensioner O-ring 9×1.8	1		
23	91120-I006-0000	CB125脚张紧调节螺栓M6×10	Tensioner Bolt M6×10	1		
24	15402-I006-0100	CB125脚-2#气门摇臂轴(PDK专用)	Rocker Shaft	2		
25	15100-ME05-0003	CB250D-G凸轮轴部件(TPI轴承)	CB250D-G Cam Shaft Assy	1		
26	11201-I006-0000	CB125脚气门摇臂轴定位板	Rocker Arm Positioning Plate	1		
27	B008190106001620B	GB819.1螺钉M6×16(白锌)	Screw M6×16	1		
28	2143B-L044-0000	CB200链条护板组合	Chain Protect Plate Assy	1		
29	B166740006001670B	GB16674大盘螺栓M6×16(白锌)	Bolt M6×16	1		

曲轴箱盖 Crankcase Cover 1



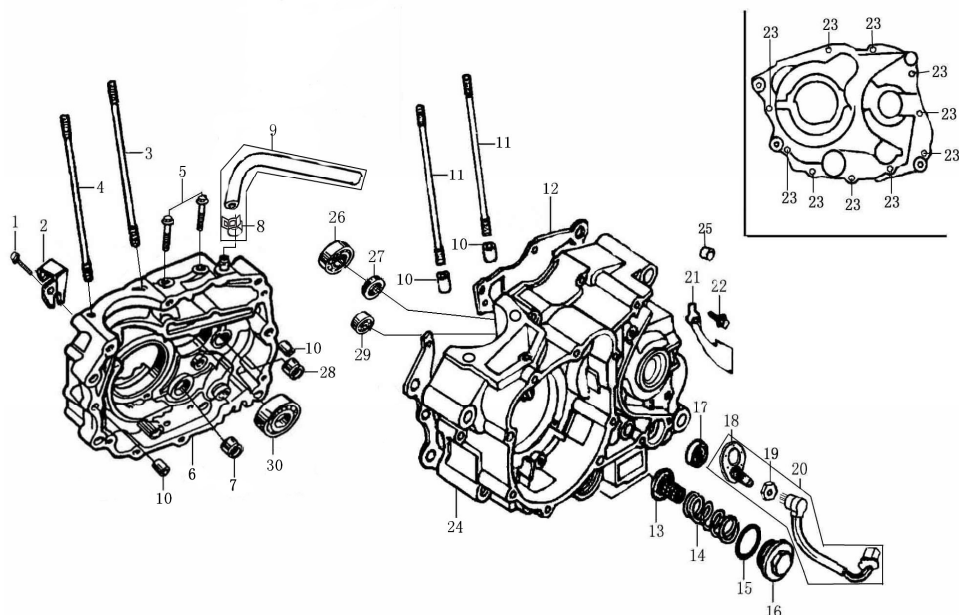
序 NO.	件号 Item Code	中文名称 Chinese	英文名称 Description	数量 Q' ty	单价	
					¥	\$
1	B166740A06004070X	GB16674小盘螺栓M6×40(兰白锌)	Bolt M6×40	10		
2	B166740A06005070X	GB16674小盘螺栓M6×50(兰白锌)	Bolt M6×50	1		
3	12426-I008-0000	CG125D机油观察窗	Oil Lelve Sight Window	1		
4	90304-I006-0000	CB125脚启动轴油封16×28×7(丁腈胶)	Oil Seal16×28×7	1		
5	2242A-IA18-01000F	PZ125离合器操纵臂组合	Controlling Arm ASSY,Clutch	1		
6	90101-30087000190	CB125脚操纵臂O形圈8.7×1.9(氟橡胶)	O-ring 8.7×1.9	2		
7	22427-I006-0000	CB125脚离合器操纵臂弹簧	Clutch Controlling Arm Spring	1		
8	B0087901030120000	GB879.1销3×12	Pin 3×12	1		
9	14301-I006-01000G	CB125脚机油尺组合(白板 镀铬)分体式	Oil Gauge ASSY	1		
10	90101-10180000300	CG125机油尺O形圈18×3(丁腈胶)	Oil Gauge O-ring 18×3	1		
11	12421-I008-660063	CG125D右曲轴箱盖[白板(超风款) 6805]电感式	Cover COMP. Right Crankcase	1		
12	91521-08001400000	70定位销8×14×6.3	Pin 8×14×6.3	2		
13	90206-I008-0000	CG125D右曲轴箱盖密封垫	Gasket, R.Crankcase Cover	1		
14	B166740A06002570X	GB16674小盘螺栓M6×25(兰白锌)	Bolt M6×25(blue white zinc)	3		
15	B166740A06003570X	GB16674小盘螺栓M6×35(兰白锌)	Bolt M6×35(blue white zinc)	1		
16	B008180006001220X	GB818螺钉M6×12(兰白锌)	Bolt M6×12(blue white zinc)	4		
17	B166740A06005570X	GB16674小盘螺栓M6×55(兰白锌)	Bolt M6×55(blue white zinc)	2		
18	B166740A06003570X	GB16674小盘螺栓M6×35(兰白锌)	Bolt M6×35(blue white zinc)	1		
19	B166740A06002070X	GB16674小盘螺栓M6×20(兰白锌)	Bolt M6×20(blue white zinc)	3		
20	B166740A06006070X	GB16674小盘螺栓M6×60(兰白锌)	Bolt M6×60(blue white zinc)	1		
21	B166740A06002870X	GB16674小盘螺栓M6×28(兰白锌)	Bolt M6×28(blue white zinc)	2		
22	90204-I049-0000	CB125D左曲轴箱前盖密封垫	Gasket, L.crankcase Cover	1		
23	91521-08001400000	70定位销8×14×6.3	Pin 8×14×6.3	2		
24	92102-I008-0001	CG125D含油轴承(铁基)	Oil Bearing	1		

机油泵部件/机油滤清器部件 Oil Pump/ Oil Filter



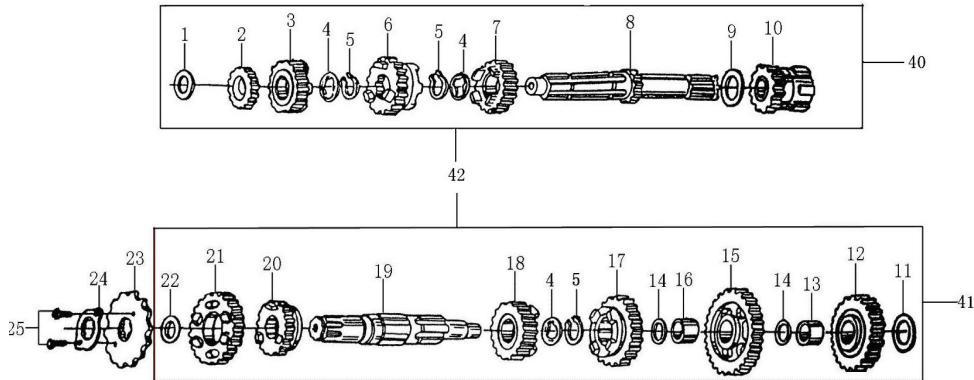
序	件号	中文名称	英文名称	数量	单价	
NO.	Item Code	Chinese	Description	Q'ty	¥	\$
1	14200-IA20-0100	SB125-2#机油滤清器部件	Oil Filter	1		
2	14201-I006-0000	CB125脚机油滤清器出油管	Oil Pipe	1		
3	B008190105001220B	GB819.1螺钉M5×12(白锌)	Screw M5×12	3		
4	14202-I006-0000	CB125脚机油滤清器出油管弹簧	Spring of Oil Pipe	1		
5	14207-IA20-00000W	SB125机油滤清器盖(抛丸钝化)	Oli Filter Cover	1		
6	14208-I006-0000	CB125脚机油滤清器开口销	Oli Filter Pin	1		
7	90209-IA20-0000	SB125滤清器端盖密封垫	Gasket ,Oil Filter	1		
8	91203-IA20-0000	SB125机油滤清器螺母	Oli Filter Nut	1		
9	22004-I006-0000	CB125脚离合器碟形垫圈16.5×2×27	Dish Washer,Clutch	1		
10	14203-IA20-0100	SB125-2#机油滤清器转子组件	Rotor Assy.of Oil Filter	1		
11	23101-I006-0000	CB125脚主动齿	Primary Drive Gear	1		
12	90101-10094000240	CG125机油泵O形圈9.4×2.4(丁腈胶)	O-ring 9.4×2.4	2		
13	B008190104001020B	GB819.1螺钉M4×10(白锌)	Screw M4×10	2		
14	14108-L044-0200	CB200机油泵盖板(电感式 钢齿)	Oil Pump Cover	1		
15	14111-L044-0200	CB200机油泵内转子(电感式 钢齿)	Inner Rotor, Oil Pump	1		
16	14112-L044-0000	CB200机油泵外转子	Outer Rotor, Oil Pump	1		
17	14110-L044-0200	CB200机油泵体(电感式 钢齿)	Oil Pump Body	1		
18	14102-L044-0001	CB200机油泵齿轮(m=1.75 z=37 电感式 钢齿)	Gear,Oil Pump	1		
19	14107-L044-0200	CB200机油泵油泵轴(电感式 钢齿)	Shaft, Oil Pump	1		
20	14113-L044-0000	CB200机油泵齿轮盖(电感式 钢齿)	Gear Cover, Oil Pump	1		
21	B057820005002070B	GB5782螺栓M5×20(白锌)	Bolt M5×20	2		
22	B008190106003020B	GB819.1螺钉M6×30(白锌)	Screw M6×30	2		
23	14100-L044-0000	CB200机油泵部件(37齿 电感式)	Oil Pump Assy	1		

曲轴箱 Crankcase 1



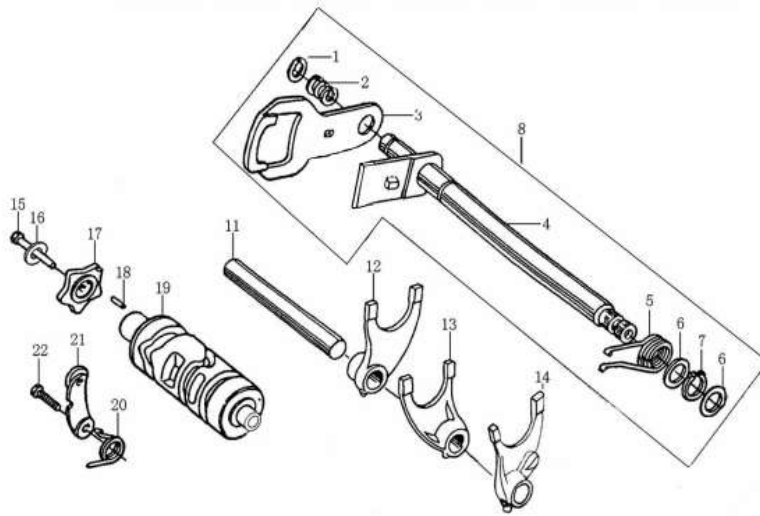
序	件号	中文名称	英文名称	数量	单价	
NO.	Item Code	Chinese	Description	Q' ty	¥	\$
1	B166740A06005570X	GB16674小盘螺栓M6×55(兰白锌)	Bolt M6×55	1		
2	22422-IA18-01000G	PZ125-2#离合器钢索支架(白铬)	Clutch Cable Holder	1		
3	91102-L044-0000	CB200气缸双头螺栓B(229mm)	Cylinder Stud Bolt B	1		
4	91102-L044-0100	CB200-2#气缸双头螺栓B(229mm)	Cylinder Stud Bolt B	1		
5	B166740A06002870X	GB16674小盘螺栓M6×28(兰白锌)	Bolt M6×28	2		
6	1222B-ME05-010063	CB250D-G右曲轴箱组合(低噪音专用 6805)	Right Crankcase Assy	1		
7	92102-000HK212810	滚针轴承(HK21×28×10)	Bearing (HK212810)	1		
8	18097-I008-0000	CG125D废气循环管 I 卡箍	Clamp	3		
9	12130-MA95-0200	CG250-3#通气管组件(复合层材料 卡箍2个)	Pipe ASSY	1		
10	91521-10001400000	CG125脚定位销10×14	Pin 10×14	4		
11	91101-KA35-0000	IB175-FC气缸双头螺栓A(240mm)	Cylinder Stud Bolt A(240mm)	2		
12	90208-ME05-0000	CB250D-G曲轴箱密封垫	Crankcase Gasket	1		
13	1431B-I006-0000	CB125脚机油过滤网组合	Oil Filter Strainer	1		
14	14221-I006-0000	CB125脚机油过滤网弹簧	Spring of Oil Filter Strainer	1		
15	90101-20350000300	CB125气门盖O形圈35×3(氟硅胶)	O-ring 35×3	1		
16	11230-I006-00000W	CB125脚气门室盖(抛丸钝化)	Cover, Valve Chamber	1		
17	90301-I006-0000	CB125脚换挡臂油封14×28×7(丁腈胶)	Oil Seal 14×28×7	1		
18	88001-I049-0500	CB125D档显板(五档国际档)	Gearshift Switch plate	1		
19	91204-I049-0000	CB125D档显板螺母M10	Nut M10	1		
20	8803B-I049-050055	CB125D档显线束组合(五档国际 L:550)接口D01	Gearshift Switch Lamp	1		
21	12103-I008-0000	CG125D挡线片	Positioning Plate	1		
22	B166740A06001270B	GB16674小盘螺栓M6×12(白锌)	Bolt M6×12	1		
23	B166740A06005070X	GB16674小盘螺栓M6×50(兰白锌)	Bolt M6×50	10		
24	1212B-IA27-000063	CB133左曲轴箱组合(6805)	Left Crankcase Assy	1		

传动机构 Transmission Mechanism 1



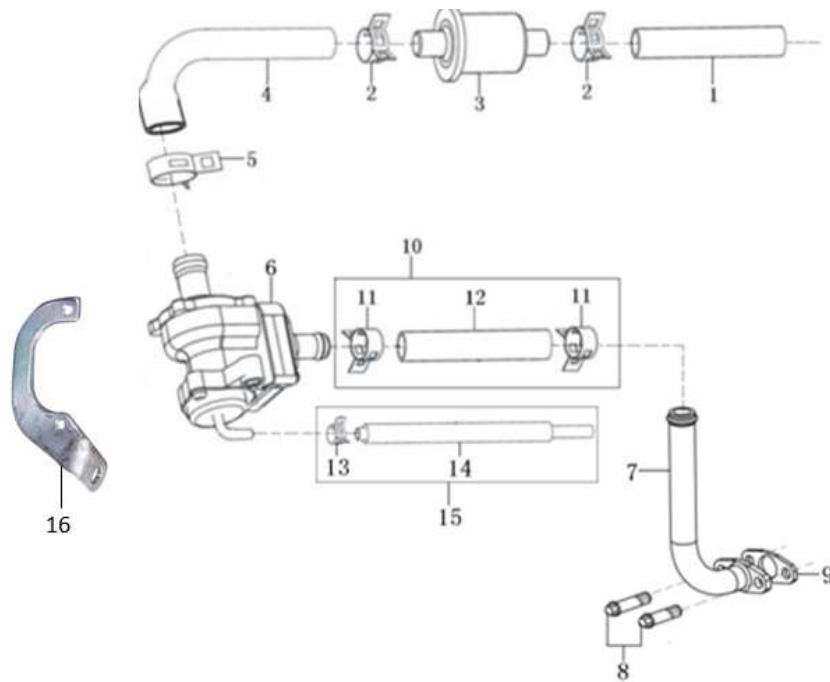
序	件号	中文名称	英文名称	数量	单价	
NO.	Item Code	Chinese	Description	Q'ty	¥	\$
1	93301-61521025000	CB125主轴止推垫圈 15.2×1×25	Washer 15.2×1×25	1		
2	23222-LA73-0002	CG200-A水冷主轴2档齿轮	Gear M-2	1		
3	23222-LA73-0005	CG200-A水冷主轴5档齿轮	Gear M-5	1		
4	23223-I006-0000	CB125脚齿轮隔圈17.3(20)×1.6×26	Washer 17.3(20)×1.6×26	3		
5	91402-D002-0100	70启动轴挡圈φ18.5×1.2×φ22.1	Start Axle Check Ring φ18.5×1.2×φ22.1	3		
6	23222-LA73-0004	CG200-A水冷主轴4档齿轮	Gear M-4	1		
7	23222-LA73-0003	CG200-A水冷主轴3档齿轮	Gear M-3	1		
8	23221-LA73-0000	CG200-A水冷主轴芯轴	Transmission Main Shaft	1		
9	93301-62020527000	CB125主轴止推垫圈 20.2×0.5×27	Washer 20.2×0.5×27	1		
10	23231-I008-0000	CG125D主轴起动齿轮组合	Final Shaft	1		
11	93301-61521030000	CB125副轴止推垫圈 15.2×1×30	Washer 15.2×1×30	1		
12	23248-I008-0000	CG125D副轴启动过桥齿轮	Gear	1		
13	23203-I008-0003	CG125D副轴启动齿轮衬套	Gear Bush	1		
14	93301-51650524000	CG125D副轴止推垫圈 16.5×0.5×24	Washer 16.5×0.5×24	2		
15	23242-LA73-0001	CG200-A水冷副轴1档齿轮	Gear C-1	1		
16	23203-I006-0001	CB125脚副轴1档齿轮衬套	Gear Bush	1		
17	23242-LA73-0003	CG200-A水冷副轴3档齿轮	Gear C-3	1		
18	23242-LA73-0004	CG200-A水冷副轴4档齿轮	Gear C-4	1		
19	23241-I008-0000	CG125D-1#五档副轴芯轴	Transmission Counter Shaft	1		
20	23242-LA73-0005	CG200-A水冷副轴5档齿轮	Gear C-5	1		
21	23242-LA73-0002	CG200-A水冷副轴2档齿轮	Gear C-2	1		
22	93301-52001027000	CG125D副轴止推垫圈 20×1×27	Washer 20×1×27	1		
23	23401-MA95-0001	CG250主动链轮(520.13)	Drive Sprocket(520.13)	1		
24	23402-I006-0000	CB125脚主动链轮固定板	Fixing Plate, Drive Sprocket	1		

变速机构 Gearshift Mechanism



序 NO.	件号 Item Code	中文名称 Chinese	英文名称 Description	数量 Q'ty	单价	
					¥	\$
1	B0089401120000000	GB894.1挡圈12	Circlip 12	1		
2	24303-I006-0000	CB125脚换档板弹簧	Gearshift Plate Spring	1		
3	24319-I006-0000	CB125脚换档板(五档国际档)	Gearshift Plate	1		
4	24301-I006-00000C	CB125脚换档轴组合(五档国际档 彩锌)	Gearshift Shaft ASSY	1		
5	24302-I008-0000	CG125D换档回位弹簧	Return Spring	1		
6	93301-51400520000	CB125脚换档臂垫圈14×0.5×20	Washer 14×0.5×20	2		
7	B0089401140000000	GB894.1挡圈14	CirClip 14	1		
8	24300-I006-00000C	CB125脚换档臂部件(CB125脚 五国 彩锌)	Gearshift Lever ASSY	1		
9						
10						
11	24107-I006-0000	CB125脚拨叉轴	Gearshift Spork Shaft	1		
12	24104-I006-0000	CB125脚副轴右拨叉	Right Fork, Countershaft	1		
13	24106-I006-0000	CB125脚主轴拨叉	Center Fork, Mainshaft	1		
14	24105-I006-0000	CB125脚副轴左拨叉	Left Fork, Countershaft	1		
15	91126-I008-00000B	CG125D五星板紧固螺栓(白锌)	Bolt	1		
16	B0009300060000000	GB93弹垫6	Washer φ6	1		
17	24202-I006-0500	CB125脚五星板(五档国际档)	Stopping Plate	1		
18	B0011901040100000	GB119.1销4×10	Pin 4×10	1		
19	24213-I006-0500	CB125脚变速鼓(五档国际档)档显	Gearshift Drum	1		
20	24304-I006-0000	CB125脚定位板弹簧	Spring, Locating Plate	1		
21	2434A-I008-0000	CG125D定位板组合(短压板四/五档国际档)	Locating Plate ASSY	1		
22	B057830006002070B	GB5783螺栓M6×20(白锌)	Bolt M6×20	1		

二次进气系统 Second Inlet System (0072501101)



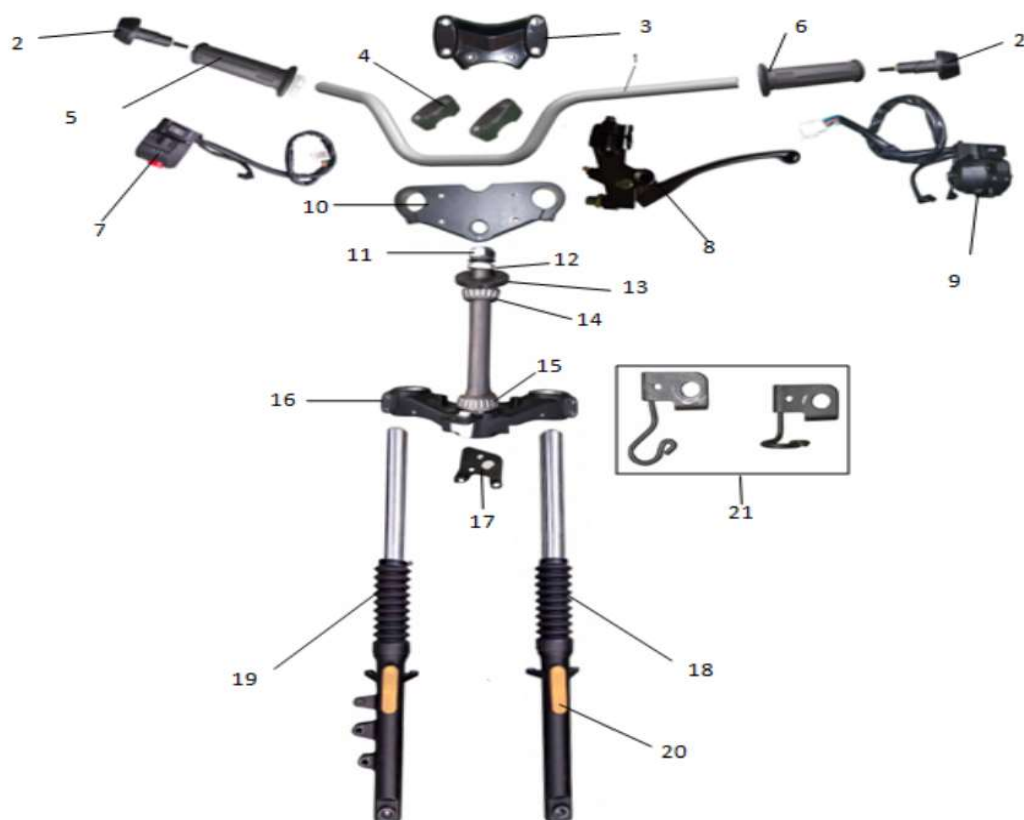
序 NO.	件号 Code name	中文名称 Chinese	英文名称 Description	数量 Q'ty	单价	
					¥	\$
1	16156-I008-0100	CG125D二次空滤器连接胶管II (14×9×100)	Connecting Pipe	1		
2	16157-I008-0000	二次空滤器连接胶管下圈	Hoop	2		
3	16160-I008-0000	CG125D二次空滤器部件	Second Air Box Valve	1		
4	16156-I008-0000	CG125D二次空滤器连接胶管I (14×9×230(25))	Connection Pipe	1		
5	16157-I008-0100	二次空滤器连接胶管下圈	Hoop	1		
6	18090-J034-0001	CG125D空气泵(带防生胶套)	Gas Pump	1		
7	1809B-LA66-00000Y	CG200-A废气循环铁管组件	Iron Pipe	1		
8	B166740A06001670X	GB16674小盘螺栓M6×16	Bolt M6X16	2		
9	90268-DA80-0000	PW70废气循环铁管纸垫	Paper Gasket	1		
10	18110-LA66-0000	CG200-A废气循环橡胶管组件I	Rubber Pipe	1		
11	18097-I008-0000	CG125D废气循环管I卡箍	Clamp	2		
12	18092-LA66-0000	CG200-A废气循环橡胶管I (200)	Rubber Pipe	1		
13	18097-I008-0100	CG125D废气循环管II卡箍	Clamp	1		
14	18092-I008-0103	废气循环橡胶管II-4#	Rubber Pipe	1		
15	18110-I008-0103	废气循环橡胶管组件II-4#	Rubber Pipe	1		
16	02010351-2	二次补气阀固定片	BRACKET OF AIR INJECTION	1		

车架件 Accessories of frame



序	件号	中文名称	英文名称	数量	单价	
NO.	Item Code	Chinese	Description	Q' ty	¥	\$
1	02012019	发动机右装饰罩支架	Bracket of right engine cover	1		
2	02012018	发动机左装饰罩支架	Bracket of left engine cover	1		
3	02012010	后刹踏板	Rear brake pedal	1		
4	07020128	后刹踏板弹簧	Spring of rear brake pedal	1		
5	02012009	侧支架	Side stand	1		
6	07020127	侧支架弹簧	Spring of side stand	1		
7	02012008	主支架	Main stand	1		
8	07020126	主支架弹簧	Spring of main stand	1		
9	02012011	后刹车踏板衬套	Bushing of brake pedal	1		
10	02012012	后刹车踏板衬轴	Bushing axle of brake pedal	1		
11	02012023	蓄电池支架	Bracket of battery	1		
12	02012020	蓄电池支架衬套	Bushing of battery bracket	2		
13	02012063	整流器支架	Bracket of rectifier	1		
14	02012016	后扶手左支架	Left bracket of handhold	1		
15	02012015	后扶手右支架	Right bracket of handhold	1		
16	02012025	后扶手	Rear handhold	1		
17	02012032	尾灯固定片	Bracket of tail light	1		
18	02012021	后牌照支架	Bracket of license	1		
19	02012022	后牌照灯支架	Bracket of license light	1		

操纵系统 Steering ASSY



序	件号	中文名称	英文名称	数量	单价	
NO.	Item Code	Chinese	Description	Q' ty	¥	\$
1	02030797	方向把	Handle bar	1		
2	10020082	平衡块	Handlebar end	2		
3	02030793	方向把压块	Up Handlebar lock	1		
4	02030795	方向把下压板	Lower handlebar lock	2		
5	10020081-2	右把套	Right handlebar grip	1		
6	10020081-1	左把套	Left handlebar grip	1		
7	10010128	右组合开关	Right switch ASSY	1		
8	10030022	左手把拉杆组件	Left lever	1		
9	10010127	左组合开关	Left switch ASSY	1		
10	02030794	上联板	Upper shock linker	1		
11	12030068-6	上轴承	Upper bearing	1		
12	12030068-3	方向柱顶螺母	Nut of steering stem	1		
13	12030068-2	调节螺母	Fixing nut	1		
14	12030068-1	防尘罩	Dust cover	1		
15	12030068-7	下轴承	Lower bearing	1		
16	02030796	方向柱	Steering stem	1		
17	02012017	车头锁安装片	Plate of lock	1		
18	07010183	前左减震器	Front shock left	1		
19	07010184	前右减震器	Front shock right	1		
20	09050006	橙色侧反光片 (DOT)	Orange reflector	2		
21	12990044	里程线夹	Circlip of speedcable	2		

