

TY50QT-K NEW CITY EFI SPARE PARTS CATALOGUE



图001 头罩 / Hesd cover				
序号 REF.	代码 CODE	名称	NAME	数量 quantit
1	TY50QT-K-001-001	后视镜组件	mirror assembly	1
2	TY50QT-K-001-002	大灯镀铬框	Headlight chrome frame	1
3	TY50QT-K-001-003	自攻螺钉 (ST4.2×16)	tapping screw (ST4.2×16)	1
4	TY50QT-K-001-004	自攻螺钉 (ST4.2×12)	tapping screw (ST4.2×12)	2
5	TY50QT-K-001-005	右位置灯	Front position light, right	1
6	TY50QT-K-001-006	左位置灯	Front position light, Left	1
7	TY50QT-K-001-007	自攻螺钉 (ST4.2×12)	tapping screw (ST4.2×12)	6
8	TY50QT-K-001-008	头罩	Head cover	1
9	TY50QT-K-001-009	卡片 STM4.0	clip STM4.0	2
10	TY50QT-K-001-010	自攻螺钉 (ST4.8×16)	tapping screw (ST4.8×16)	2
11	TY50QT-K-001-011	半圆头内六角 (M6×30)	(M6×30)	1
12	TY50QT-K-001-012	大灯	headlamps	1
13	TY50QT-K-001-013	六角法兰面螺栓 (M8×45)	Hex Flange Screws (M8×45)	1
14	TY50QT-K-001-014	六角法兰面锁紧螺母 M10	Hexagon locknut with flange M10	1
15	TY50QT-K-001-015	挡风玻璃	windshield as parts	1
16	TY50QT-K-001-016	挡风玻璃配套螺丝	windshield assy tool as parts	1

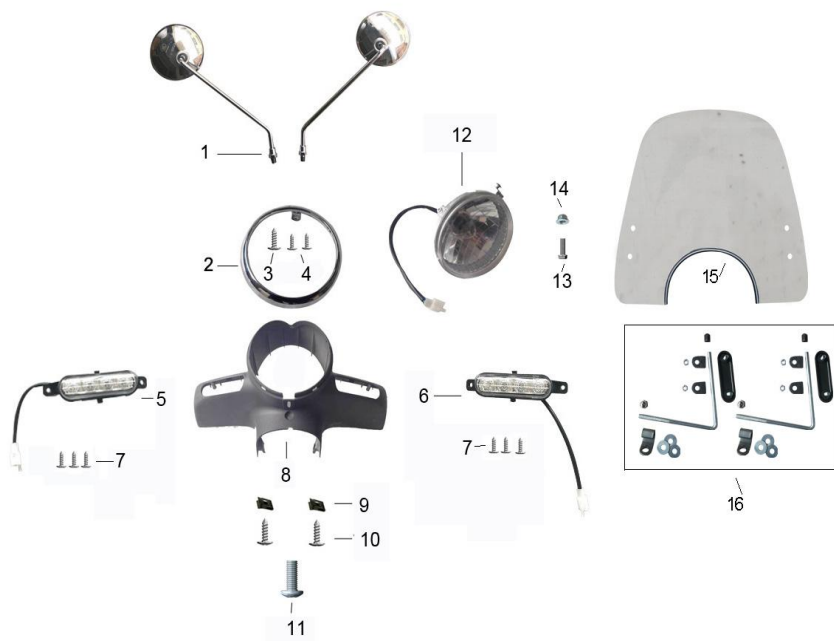


图002 头罩后部/Head cover, rear part

序号 REF.	代码 CODE	名称	NAME	数量 quantit
1	TY50QT-K-002-001	仪表壳镀铬框	Instrument shell chrome plated frame	1
2	TY50QT-K-002-002	自攻螺钉(ST4.2×12)	tapping screw(ST4.2×12)	2
3	TY50QT-K-002-003	仪表壳	Instrument shell	1
4	TY50QT-K-002-004	半圆头内六角(M6×30)	In the six corners of the half	1
5	TY50QT-K-002-005	自攻螺钉(ST4.2×12)	tapping screw(ST4.2×12)	6
6	TY50QT-K-002-006	自攻螺钉(ST4.8×16)	tapping screw(ST4.8×16)	2
7	TY50QT-K-002-007	卡片	clip	2
8	TY50QT-K-002-008	仪表	meter	1
9	TY50QT-K-002-009	自攻螺钉(ST4.2×12)	tapping screw(ST4.2×12)	2
10	TY50QT-K-002-010	自攻螺钉(ST4.8×16)	tapping screw(ST4.8×16)	1
11	TY50QT-K-002-011	卡片	clip	1



图003 方向把/Steering bar				
序号 REF.	代码 CODE	名称	NAME	数量 quantit
1	TY50QT-K-003-001	油门转把	Accelerator hand grip	1
2	TY50QT-K-003-002	方向把焊接组合	Combination of the direction of the	1
3	TY50QT-K-003-003	左手把套	Left hand grip	1
5	TY50QT-K-003-005	螺母 M10	Nut M10	1
6	TY50QT-K-003-006	弹簧垫 $\varnothing 10$	Spring pad $\varnothing 10$	1
7	TY50QT-K-003-007	衬套 专用弧形	bushing	1
8	TY50QT-K-003-008	六角法兰面螺栓	hexagon nut with flange (M10 \times 45)	1
9	TY50QT-K-003-009	左右组合开关	combined switch	1
10	TY50QT-K-003-010	电喷油门线	Accelerator cable	1
11	TY50QT-K-003-011	后制动拉索	Rear brake cable	1
12	TY50QT-K-003-012	里程线	Mileage line	1



图004 前大板/ Front cover

序号 REF.	代码 CODE	名称	NAME	数量 quantit
1	TY50QT-K-004-001	前转向灯右	Front turn signal lamp, Right	1
2	TY50QT-K-004-002	自攻螺钉 (ST4.2×12)	tapping screw (ST4.2×12)	4
3	TY50QT-K-004-003	自攻螺钉 (ST4.8×12)	tapping screw (ST4.8×12)	2
4	TY50QT-K-004-004	卡片 STM4.0	card STM4.0	2
5	TY50QT-K-004-005	前大板	Front cover	1
6	TY50QT-K-004-006	彩垫	Color pad	1
7	TY50QT-K-004-007	内六角螺栓	Inner six angle bolt	1
8	TY50QT-K-004-008	自攻螺钉 (ST4.2×12)	tapping screw (ST4.2×12)	6
9	TY50QT-K-004-009	前转向灯左	Front turn signal lamp, Left	1
10	TY50QT-K-004-010	面板装饰框 镀铬	Panel decorative frame Chrome-Plating	1
11	TY50QT-K-004-011	自攻螺钉 (ST4.2×12)	tapping screw (ST4.2×12)	11
12	TY50QT-K-004-012	车架挡泥板	Frame fender	1
13	TY50QT-K-004-013	自攻螺钉 (ST4.2×12)	tapping screw (ST4.2×12)	2
14	TY50QT-K-004-014	六角法兰面螺栓 (M6×16)	hexagon nut with flange (M6×16)	2
15	TY50QT-K-004-015	平垫 $\varnothing 6 \times \varnothing 18 \times 1$	Flat pad $\varnothing 6 \times \varnothing 18 \times 1$	2
16	TY50QT-K-004-016	装饰板左	Left decorating board	1
17	TY50QT-K-004-017	自攻螺钉 (ST4.2×12)	tapping screw (ST4.2×12)	2
18	TY50QT-K-004-018	卡片 STM4.0	card STM4.0	2
19	TY50QT-K-004-019	自攻螺钉 (ST4.2×12)	tapping screw (ST4.2×12)	2
20	TY50QT-K-004-020	后转向灯左	Rear turn lamp, Left	1
21	TY50QT-K-004-021	自攻螺钉 (ST4.2×12)	tapping screw (ST4.2×12)	6
22	TY50QT-K-004-022	卡片 STM4.0	card STM4.0	6
23	TY50QT-K-004-023	装饰板右	Right decorating board	3
24	TY50QT-K-004-024	后转向灯右	Rear turn lamp, Right	1

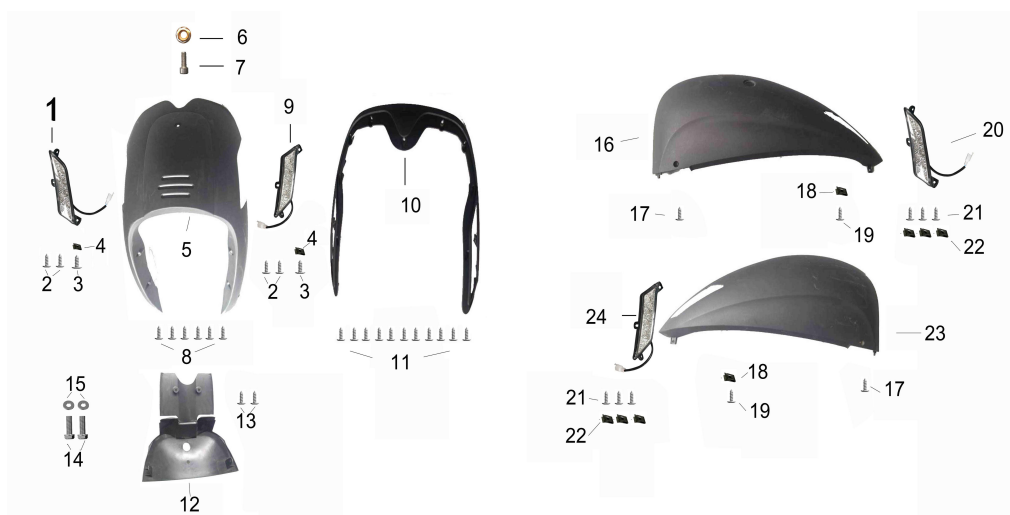


图005 套锁/Lock assy				
序号 REF.	代码 CODE	名称	NAME	数量 quantit
1	TY50QT-K-005-001	电门锁	Electric door lock	1
2		电门锁盖	Switch lock cover	
3		卡片	card	
4		钥匙	Key	
5		杂物箱锁	Glove box lock	
6		电门锁板	Switch lock plate	
7		杂物箱锁摇臂	Glove box lock rocker arm	
8	TY50QT-K-005-002	十字盘头 (M 6×16)	Cross head (M 6×16)	2



图006 座垫/Seat

序号 REF.	代码 CODE	名称	NAME	数量 quantit
1	TY50QT-K-006-001	座垫总成	Seat assy	1
2	TY50QT-K-006-002	行李箱	Luggage	1
3	TY50QT-K-006-003	六角法兰面螺栓 (M6×16)	Hexagon flange bolts (M6×16)	4
4	TY50QT-K-006-004	杂物箱内盖	Luggage inlet cover	1
5	TY50QT-K-006-005	自攻螺钉 (ST4.2×12)	tapping screw (ST4.2×12)	1
6	TY50QT-K-006-006	自攻螺钉 (ST4.2×12)	tapping screw (ST4.2×12)	6
7	TY50QT-K-006-007	杂物箱前罩	Front cover of glove box	1
8	TY50QT-K-006-008	杂物箱前罩小盖	Small cover for front cover of glove box	1
9	TY50QT-K-006-009	自攻螺钉 (ST4.2×12)	tapping screw (ST4.2×12)	2
10	TY50QT-K-006-010	六角法兰面螺栓 (M6×12)	Hexagon flange bolts (M6×12)	2
11	TY50QT-K-006-011	坐垫锁板	Cushion lock plate	1
12	TY50QT-K-006-012	六角法兰面螺栓 (M6×12)	Hexagon flange bolts (M6×12)	2
13	TY50QT-K-006-013	坐垫锁线	seat cushion lock zipper	1

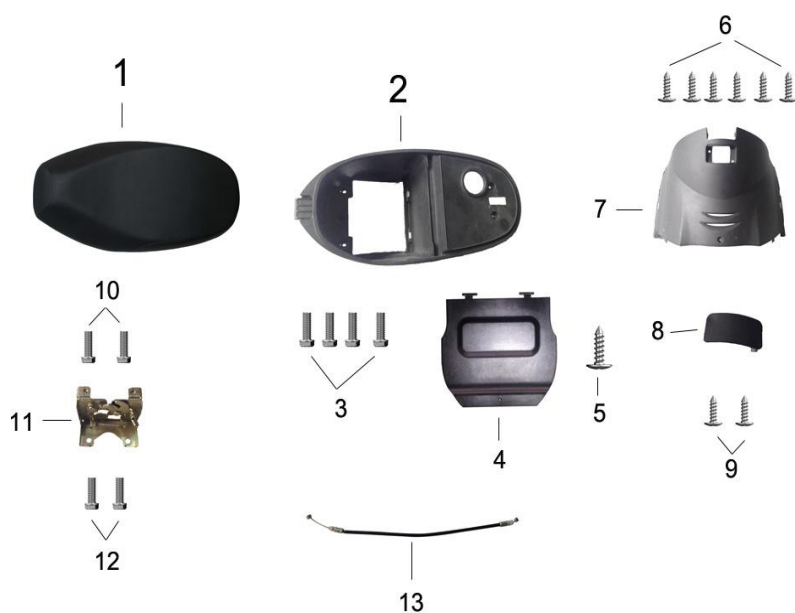


图007 后尾灯/Tail light

序号 REF.	代码 CODE	名称	NAME	数量 quantit
1	TY50QT-K-007-001	后泥板	Rear mudguard	1
2	TY50QT-K-007-002	卡片 STM4.0	card STM4.0	5
3	TY50QT-K-007-003	自攻螺钉 (ST4.8×16)	tapping screw (ST4.8×16)	5
4	TY50QT-K-007-004	后中心连接板	Rear center connecting plate	1
5	TY50QT-K-007-005	自攻螺钉 (ST4.2×12)	tapping screw (ST4.2×12)	8
6	TY50QT-K-007-006	后货架 A 镀珞	Rear Rack A 镀珞	1
7	TY50QT-K-007-007	半圆头内六角 (M8×20)	In the six corners of the half round	2
8	TY50QT-K-007-008	半圆头内六角 (M8×40)	In the six corners of the half round	2
9	TY50QT-K-007-009	牌照支架	License plate bracket	1
10	TY50QT-K-007-010	六角法兰面螺栓 (M6×16)	Hexagon flange bolts (M6×16)	2
11	TY50QT-K-007-011	螺母 M6	Nut M6	2
12	TY50QT-K-007-012	反光牌	reflecting board	1
13	TY50QT-K-007-013	螺母 M6	Nut M6	2
14	TY50QT-K-007-014	螺母 M6	Nut M6	1
15	TY50QT-K-007-015	后尾灯	Rear lamp	1
16	TY50QT-K-007-016	自攻螺钉 (ST4.2×12)	tapping screw (ST4.2×12)	5
17	TY50QT-K-007-017	牌照灯	License plate lamp	1
18	TY50QT-K-007-018	后挡泥板加强支架	The rear fender reinforced support	1
19	TY50QT-K-007-019	六角法兰面螺栓 (M6×16)	Hexagon flange bolts (M6×16)	2
20	TY50QT-K-007-020	平垫 $\phi 6 \times \phi 18 \times 1$	Flat pad $\phi 6 \times \phi 18 \times 1$	2
21	TY50QT-K-007-021	后货架带后靠背 B	rear rack with back rest B	1
22	TY50QT-K-007-022	半圆头内六角 (M8×20)	In the six corners of the half round	3
23	TY50QT-K-007-023	后货架	rear rack C	1
24	TY50QT-K-007-024	半圆头内六角 (M8×20)	In the six corners of the half round	3

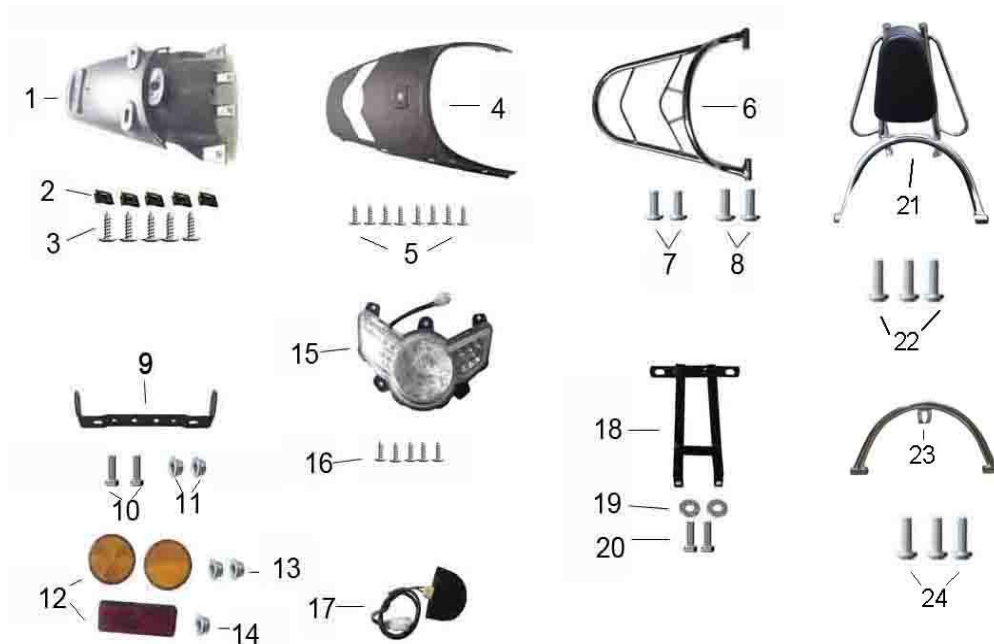


图008 前置物箱/Front luggage

序号 REF.	代码 CODE	名称	NAME	数量 quantit
1	TY50QT-K-008-001	工具箱	tool box	1
2	TY50QT-K-008-002	自攻螺钉 (ST4.2×12)	tapping screw (ST4.2×12)	10
3	TY50QT-K-008-003	卡片 STM4.0	card STM4.0	2
4	TY50QT-K-008-004	自攻螺钉 (ST4.8×16)	tapping screw (ST4.8×16)	2
5	TY50QT-K-008-005	工具箱上连接板	Toolbox connection board	1
6	TY50QT-K-008-006	挂钩	helmet hook	1
7	TY50QT-K-008-007	六角法兰面螺栓 (M6×16)	Hexagon flange bolts (M6×16)	1
8	TY50QT-K-008-008	号码盖	number cover	1
9	TY50QT-K-008-009	脚踏板	pedal	1
10	TY50QT-K-008-010	平垫 $\varnothing 6 \times \varnothing 18 \times 1$	Flat pad $\varnothing 6 \times \varnothing 18 \times 1$	4
11	TY50QT-K-008-011	六角法兰面螺栓 M6×20	Hexagon flange bolts M6×20	4
12	TY50QT-K-008-012	脚踏板盖	Cap footrest	4
13	TY50QT-K-008-013	电瓶盒	battery box	1
14	TY50QT-K-008-014	卡片 STM4.0	card STM4.0	2
15	TY50QT-K-008-015	自攻螺钉 (ST4.8×16)	tapping screw (ST4.8×16)	2
16	TY50QT-K-008-016	电瓶盖	battery cover	1
17	TY50QT-K-008-017	自攻螺钉 (ST4.2×12)	tapping screw	2
18	TY50QT-K-008-018	工具箱盖	Box cover	1
19	TY50QT-K-008-019	自攻螺钉 (ST4.2×12)	tapping screw (ST4.2×12)	8
20	TY50QT-K-008-020	蓄电池	Battery	1
21	TY50QT-K-008-021	电解液	electrolyte	1



图009 油箱/ Fuel tank				
序号 REF.	代码 CODE	名称	NAME	数量 quantit
1	TY50QT-K-009-001	燃油箱	fuel tank	1
2	TY50QT-K-009-002	卧式电子油泵	HORIZONTAL FUEL PUMP	1
3	TY50QT-K-009-003	自带螺丝	self tapping screw	6
4	TY50QT-K-009-004	油箱盖	oil tank cap	1
5	TY50QT-K-009-005	燃油传感器总成	Fuel sensor assy	1
6	TY50QT-K-009-006	高压油管	HIGH VOLTAGE FUEL TUBE	1
7	TY50QT-K-009-007	油管专用阴极接头	DEDICATED CATHODIC JOINT FOR FUEL TUBE	1
8	TY50QT-K-009-008	高压油管抱箍 (M6×12)	CLAMP FOR HIGH VOLTAGE FUEL TUBE (M6×12)	2
9	TY50QT-K-009-009	节气门阀体总成	THROTTLE VALVE ASSY	1
10	TY50QT-K-009-010	六角法兰面螺栓 (M6×12)	Hexagon flange bolts (M6×12)	3



图10 主电缆/Main cable

序号 REF.	代码 CODE	名称	NAME	数量 quantit
1	TY50QT-K-010-001	主电缆	Main cable	1
3	TY50QT-K-010-003	电喷专用高压包	Ignition coil	1
4	TY50QT-K-010-004	闪光器	Flasher	1
5	TY50QT-K-010-005	稳压器18级	voltage regulator	1
6	TY50QT-K-010-006	六角法兰面螺栓 (M6×16)	Hexagon flange bolts (M6×16)	2
7	TY50QT-K-010-007	大灯控制器	Headlight controller	1
8	TY50QT-K-010-008	电喇叭	electric horn	1
9	TY50QT-K-010-009	六角法兰面螺栓 (M6×12)	Hexagon flange bolts (M6×12)	1
10	TY50QT-K-010-010	扎带	Belt	7
11	TY50QT-K-010-011	电喷继电器	EFI DEDICATED RELAY	2

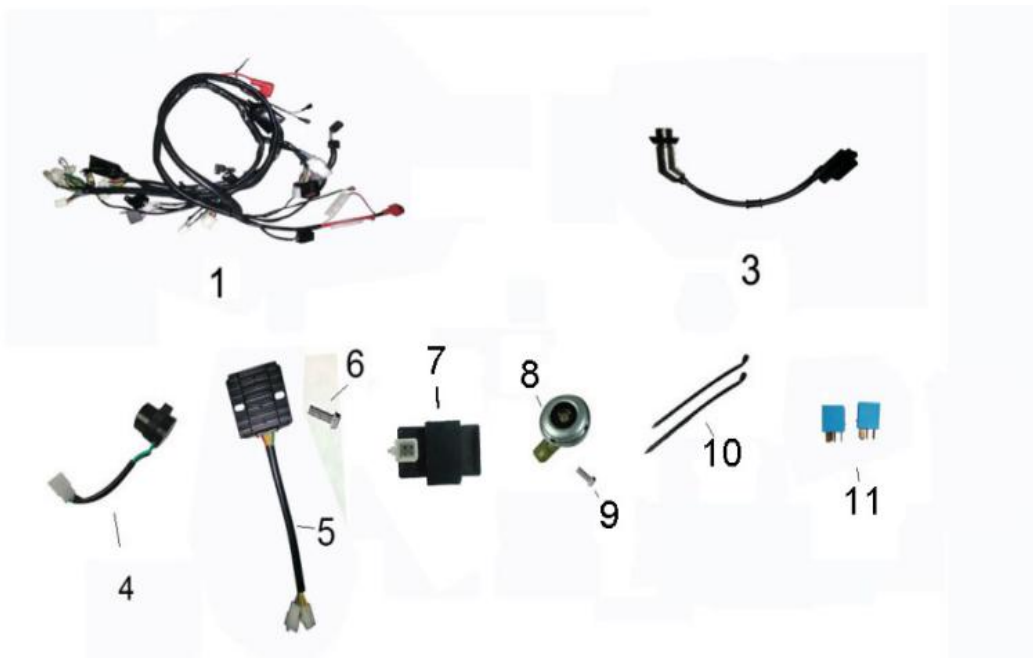


图011 全套钢碗/Full steel bowl

序号 REF.	代码 CODE	名称	NAME	数量 quantit
1	TY50QT-K-011-001	钢碗	Full steel bowl	1
2	TY50QT-K-011-002	方向柱焊接组合	Combination of column welding	1
6	TY50QT-K-011-006	里程线线夹	speedometer clip	1
7	TY50QT-K-011-007	六角法兰面螺栓 M6×12	Hexagon flange bolts M6×12	1
8	TY50QT-K-011-008	刹车油管线夹	Brake tubing clamp	1
9	TY50QT-K-011-009	六角法兰面螺栓 M6×12	Hexagon flange bolts M6×12	1
10	TY50QT-K-011-010	前左减震器总成	Front left absorber assy	1
11	TY50QT-K-011-011	前右减震器总成	Front right absorber assy	1
12	TY50QT-K-011-012	六角法兰面螺栓 (M8×35)	Hexagon flange bolts (M8×35)	4
13	TY50QT-K-011-013	前泥板前部	Front mud plate	1
14	TY50QT-K-011-014	前泥板后部	Rear mud plate	1
15	TY50QT-K-011-015	六角法兰面螺栓 (M6×16)	Hexagon flange bolts (M6×16)	3

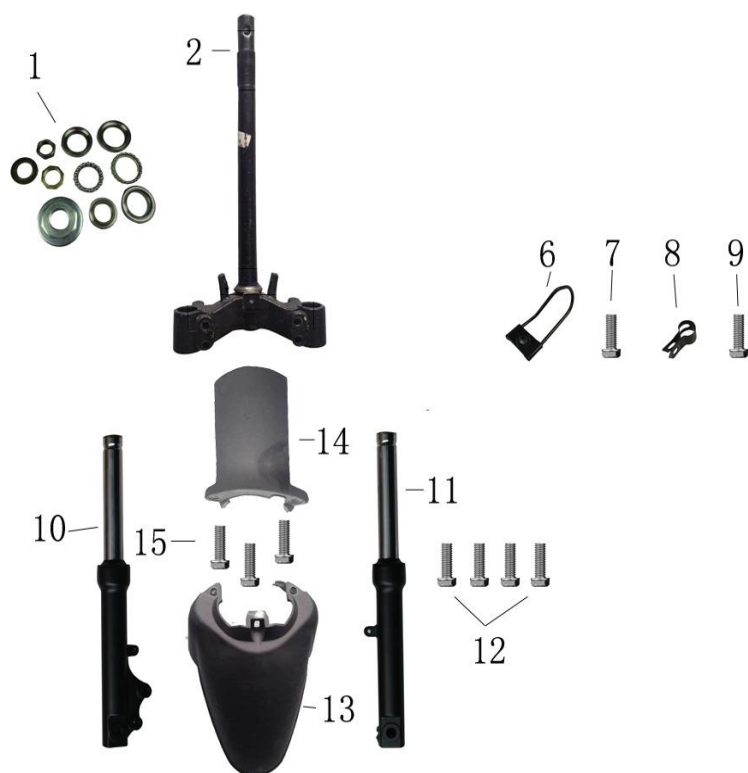


图012 前轮/Wheel

序号 REF.	代码 CODE	名称	NAME	数量 quantit
1	TY50QT-K-012-001	轮胎	Tyre CST	1
2	TY50QT-K-012-002	前轮毂	Front hub	1
3	TY50QT-K-012-003	气门嘴	Cycle valve	1
4	TY50QT-K-012-004	碟刹盘	Disc tray	1
5	TY50QT-K-012-005	计数器	Speedometer gear	1
6	TY50QT-K-012-006	碟刹盘螺丝M8×25mm	screw,disk brake plate M8×25mm	1
7	TY50QT-K-012-007	前轮轴 (M10×195)	Front wheel shaft (M10×195)	1
8	TY50QT-K-012-008	衬套		1
9	TY50QT-K-012-009	螺母 (M10)	Nut (M10)	1
10	TY50QT-K-012-010	前碟刹总成	Front disc brake assembly	1
11	TY50QT-K-012-011	碟刹上泵	Hydraulic brake before	1
12	TY50QT-K-012-012	液压油管	hydraulic tubing	1
13	TY50QT-K-012-013	碟刹下泵	DISK BRAKE DOWN CYLINDER	1
14	TY50QT-K-012-014	刹车片	front disc brake pads	1

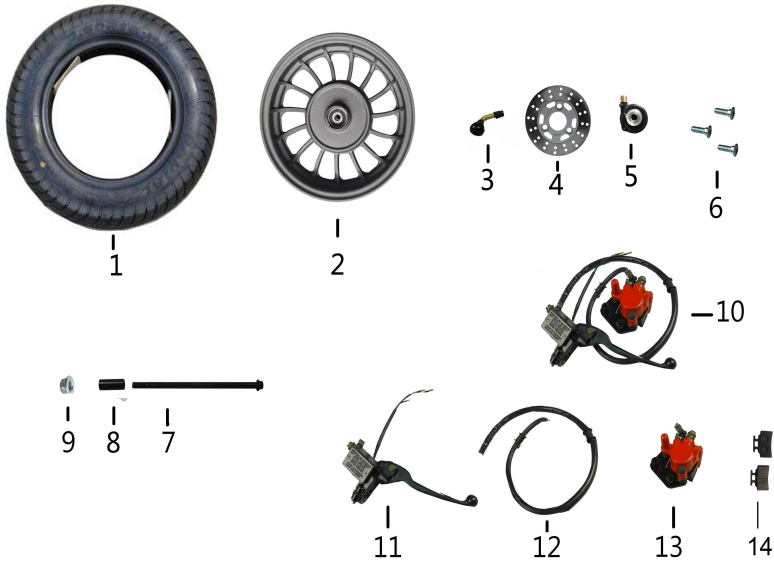


图013 消声器/Muffler

序号 REF.	代码 CODE	名称	NAME	数量 quantit
1	TY50QT-K-013-001	消声器电喷专用	MUFFLER ASSY	1
2	TY50QT-K-013-002	六角法兰面螺栓 (M8×50)	Hexagon flange bolts (M8×50)	1
3	TY50QT-K-013-003	六角法兰面螺栓 (M8×65)	Hexagon flange bolts (M8×65)	1
4	TY50QT-K-013-004	盖形螺母(M6×32)	Cap nut(M6×32)	2
5	TY50QT-K-013-005	消垫器垫圈	Muffler gasket	1
6	TY50QT-K-013-006	氧传感器	OXYGEN SENSOR	1



图014 后减震/Rear shock

序号 REF.	代码 CODE	名称	NAME	数量 quantit
1	TY50QT-K-014-001	轮胎	Tyre CST	1
2	TY50QT-K-014-002	气门嘴	Cycle valve	1
3	TY50QT-K-014-003	铝合金后轮毂	Rear alum. Whee	1
4	TY50QT-K-014-004	螺母 (M16)	Nut (M16)	1
5	TY50QT-K-014-005	后轮挡泥板	Rear wheel fender	1
6	TY50QT-K-014-006	盖形螺母 (M6×16)	Cover nut (M6 x 16)	2
7	TY50QT-K-014-007	后轮挡泥板支架	Rear wheel fender bracket	1
8	TY50QT-K-014-008	六角法兰面螺栓 (M6×12)	Hexagon flange bolts (M6×12)	1
9	TY50QT-K-014-009	后减震器总成	Rear absorber assy	1
10	TY50QT-K-014-010	(M10×45)	Hexagon flange bolts (M10×45)	1
11	TY50QT-K-014-011	弹垫 ϕ 10	Spring washer ϕ 10	1
12	TY50QT-K-014-012	平垫 ϕ 10× ϕ 20×1.5	Flat washer ϕ 10× ϕ 20×1.5	1
13	TY50QT-K-014-013	六角法兰面螺栓 (M8×32)	Hexagon flange bolts (M8×32)	1
14	TY50QT-K-014-014	发动机	Engine Assy	1
15	TY50QT-K-014-015	制动蹄块外壳	brake pads hub	1
16	TY50QT-K-014-016	制动蹄块	Brake pads	1
17	TY50QT-K-014-017	后制动摇臂轴	Rear brake rocker arm shaft	1
18	TY50QT-K-014-018	后制动摇臂	Rear brake rocker arm	1
19	TY50QT-K-014-019	缸温传感器	CYLINDER HEAD TEMPERATURE SENSOR	1

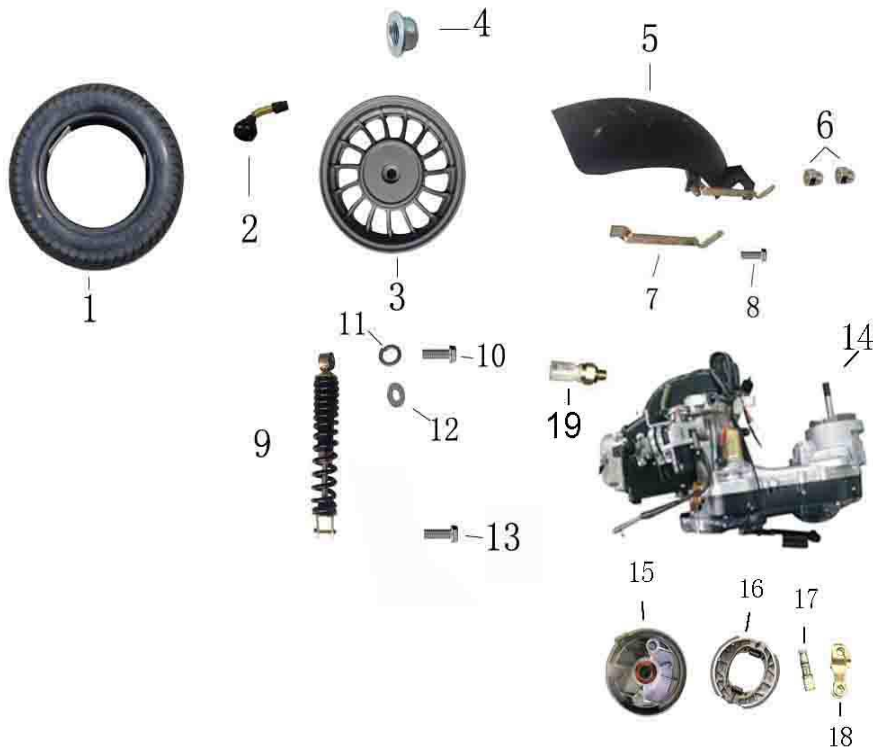


图015 空滤气总成/Air filter assy

序号 REF.	代码 CODE	名称	NAME	数量 quantit
1	TY50QT-K-015-01	空滤器总成	Air filter assy	1
2	TY50QT-K-015-02	空滤器下盖	Air filter under the cover	1
3	TY50QT-K-015-03	空滤器滤芯	Air filter filter core	1
4	TY50QT-K-015-04	空滤器上盖	air Cleaner upper lid	1
5	TY50QT-K-015-05	自攻螺钉	self tapping screw	6
6	TY50QT-K-015-06	空滤器卡箍	Air filter clamp	1
7	TY50QT-K-015-07	六角法兰面螺栓 M6×30	Hexagon flange bolts M6×30	1
8	TY50QT-K-015-08	六角法兰面螺栓 M8×30	Hexagon flange bolts M8×30	1

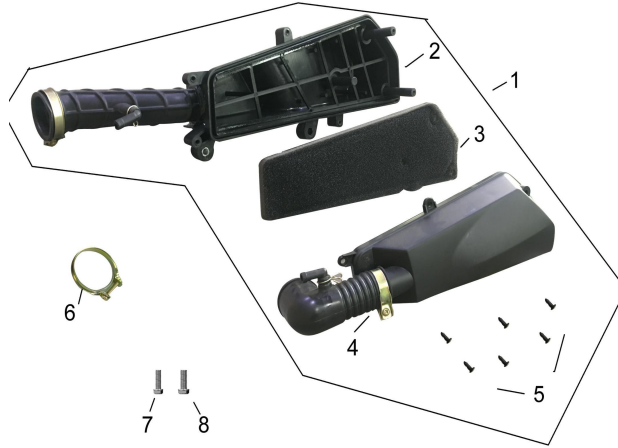


图016 车架铁件/Chassis frame				
序号 REF.	代码 CODE	名称	NAME	数量 quantit
1	TY50QT-K-016-001	车架焊接组合	Frame welding assemblies	1
2	TY50QT-K-016-002	吊架	Hanger	1
3	TY50QT-K-016-003	吊架缓冲块	Cradle welding buffer block	1
4	TY50QT-K-016-004	吊架隔套管	Casing hanger	1
5	TY50QT-K-016-005	双撑	Double brace	1
6	TY50QT-K-016-006	双撑安装轴 M8×175	Main support support axle M8×175	1
7	TY50QT-K-016-007	螺母 M8	Nut M8	1
8	TY50QT-K-016-008	主撑弹簧及橡胶套	Main standing spring&rubber sleeve	1
9	TY50QT-K-016-009	双撑缓冲垫	Double support cushion	1
10	TY50QT-K-016-010	单撑	Single support	1
11	TY50QT-K-016-011	台阶螺丝	Step screw	1
12	TY50QT-K-016-012	单撑弹簧	Single spring support	1
13	TY50QT-K-016-013	ECU微电脑控制器	ECU (ELECTRIC CONTROL UNIT)	1
14	TY50QT-K-016-014	单撑熄火		1



图17 随车工具/Driver's tool

序号 REF.	代码 CODE	名称	NAME	数量 quantit
1	TY50QT-K-017-001	随车工具	Driver's tool	1
2		工具袋	Tool bag	1
3		两用螺丝刀	Double use screw driver	1
4		双头扳手 8×10	Double-ened spanner 8×10	1
5		双头扳手 10×12	Double-ened spanner 10×12	1
6		双头扳手 14×17	Double-ened spanner 14×17	1
7		内六角扳手 6	socket head wrench 6	1
8		火花塞套筒 四冲125	Spark plug sleeve	1

