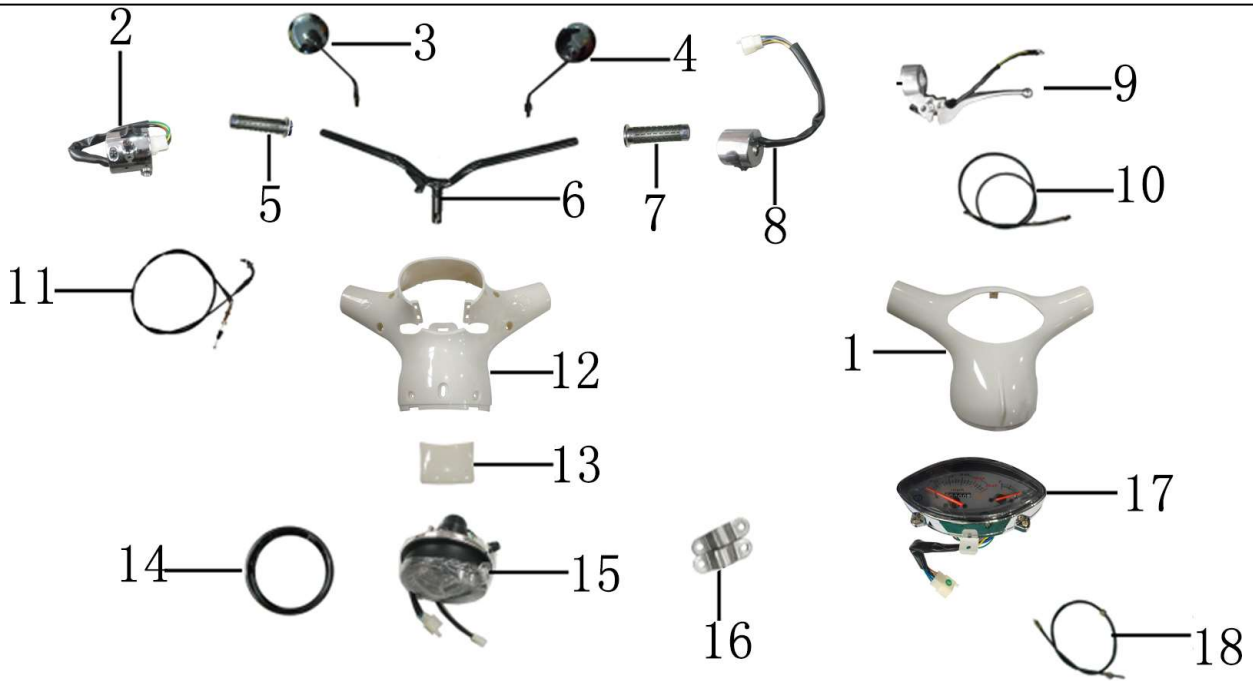
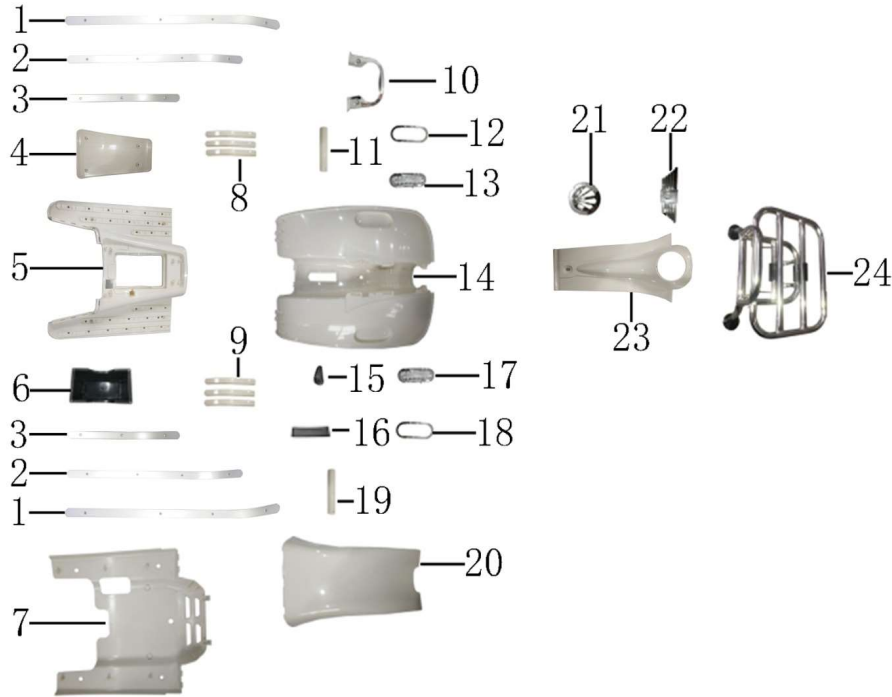


图1后视镜、方向把、左右组合开关、仪表总成、前大灯  
Rearview mirror, handlebar, left&right switch, meter assy, headlight



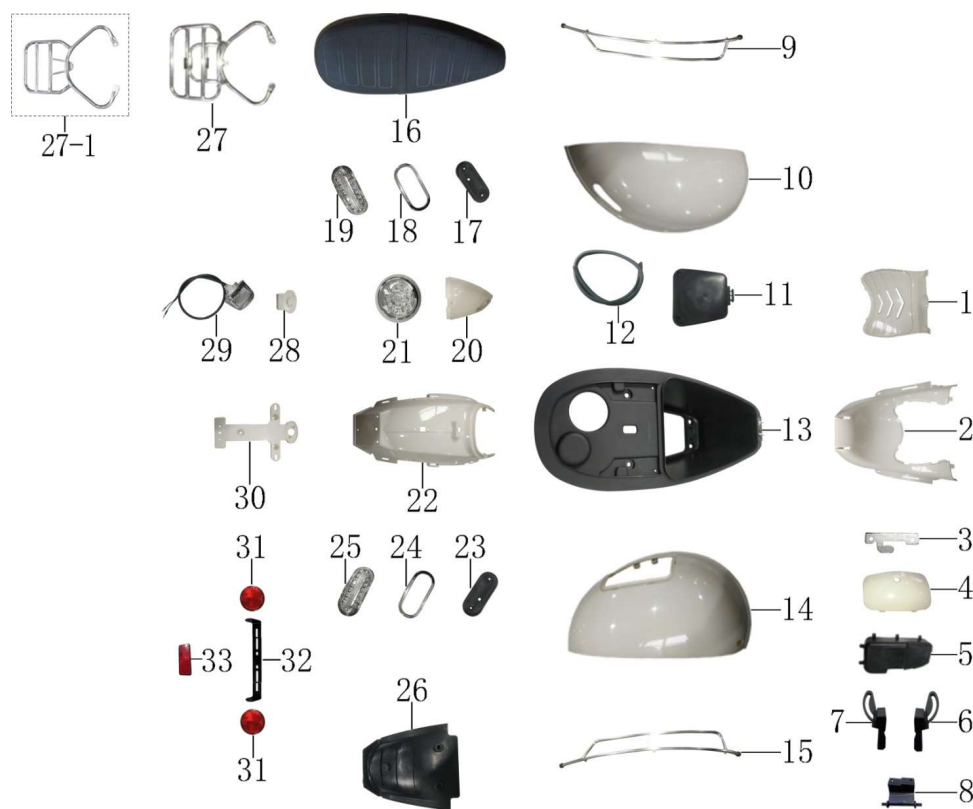
序号 NO.	代码 CODE	名称 CHINESE NAME	English name	数量 QTY	单位 UNIT
1	TY-DHF161-01-01	龙头上罩 (ABS烤漆)	Meter cover	1	PC
2	TY-DHF50-01-02	右组合开关	Right combination switch	1	PC
3	TY-DHF161-01-03	右后视镜	Rearview mirror (right)	1	PC
4	TY-DHF161-01-04	左后视镜	Rearview mirror (left)	1	PC
5	TY-DHF161-01-05	油门转把	Throttle twist grip	1	PC
6	TY-DHF161-01-06	方向把	Handle grip	1	PC
7	TY-DHF161-01-07	左把套	Left grip	1	PC
8	TY-DHF161-01-08	左组合开关	Left combination switch	1	PC
9	TY-DHF161-01-09	后制动手柄	Rear brake lever	1	PC
10	TY-DHF161-01-10	后刹车线	Rear brake cable	1	PC
11	TY-DHF50-01-11	油门线	Throttle cable	1	PC
12	TY-DHF161-01-12	龙头下罩 (ABS烤漆)	Front hood	1	PC
13	TY-DHF161-01-13	龙头下罩盖板 (ABS烤漆)	Small cover of front hood	1	PC
14	TY-DHF161-01-14	前大灯装饰圈 (ABS电镀)	Headlight decorative ring	1	PC
15	TY-DHF161-01-15	前大灯总成	Headlight	1	PC
16	TY-DHF5161-01-16	大灯压板	Headlight clamping plate	2	PC
17	TY-DHF50-01-17	仪表	Meter	1	PC
18	TY-DHF161-01-18	里程线	Mileage line	1	PC

图2 前面板、前转向灯、脚踏板、车架挡泥板及前载物架  
Front panel, front turn signal, footrest, frame fender & front carrier



序号 NO.	代码 CODE	名称 CHINESE NAME	English name	数量 QTY	单位 UNIT
1	TY-DHF161-02-01	脚踏板铝条(长)	Pedal aluminum strip (long)	2	PC
2	TY-DHF161-02-02	脚踏板铝条(中)	Pedal aluminum strip (middle)	2	PC
3	TY-DHF161-02-03	脚踏板铝条(短)	Pedal aluminum strip (short)	2	PC
4	TY-DHF161-02-04	电瓶盒盖 (ABS烤漆)	Battery box cover	1	PC
5	TY-DHF161-02-05	脚踏板 (ABS烤漆)	footrest	1	PC
6	TY-DHF161-02-06	电瓶盒	Battery box	1	PC
7	TY-DHF161-02-07	车架挡泥板 (ABS烤漆)	frame fender	1	PC
8	TY-DHF161-02-08	前面板嵌条(左) (ABS烤漆)	Front panel moulding (left)	3	PC
9	TY-DHF161-02-09	前面板嵌条(右) (ABS烤漆)	Front panel moulding (right)	3	PC
10	TY-DHF161-02-10	前面板装饰环 (ABS电镀)	Front panel trim ring	1	PC
11	TY-DHF161-02-11	前左转向灯线盖条 (ABS烤漆)	Front left turn signal cable cover strip	1	PC
12	TY-DHF161-02-12	左前转向灯装饰圈 (ABS电镀)	Left front turn signal decorative ring	1	PC
13	TY-DHF161-02-13	前左转向灯	Front left turn signal	1	PC
14	TY-DHF161-02-14	前面板 (ABS烤漆)	front panel	1	PC
15	TY-DHF161-02-15	头盔挂钩 (ABS烤漆)	hook	1	PC
16	TY-DHF161-02-16	号码盖 (ABS烤漆)	VIN cover	1	PC
17	TY-DHF161-02-17	前右转向灯	Front right turn signal	1	PC
18	TY-DHF161-02-18	右前转向灯装饰圈 (ABS电镀)	right front turn signal decorative ring	1	PC
19	TY-DHF161-02-19	前右转向灯线盖条 (ABS烤漆)	Front right turn signal cable cover strip	1	PC
20	TY-DHF161-02-20	车架前挡泥板 (ABS烤漆)	Frame front fender	1	PC
21	TY-DHF161-02-21	前面板圆圈 (ABS电镀)	Front panel circle	1	PC
22	TY-DHF161-02-22	喇叭装饰盖 (ABS电镀)	Horn decorative cover	1	PC
23	TY-DHF161-02-23	前面板盖板 (ABS烤漆)	Front panel cover	1	PC
24	TY-DHF161-02-24	前载物架	Front carrier	1	PC

图3 左右装饰板、后尾灯、行李箱、座垫、后货架、护杠  
 left&right decorative plate, taillight, luggage box, seat, rear carrier, bumper



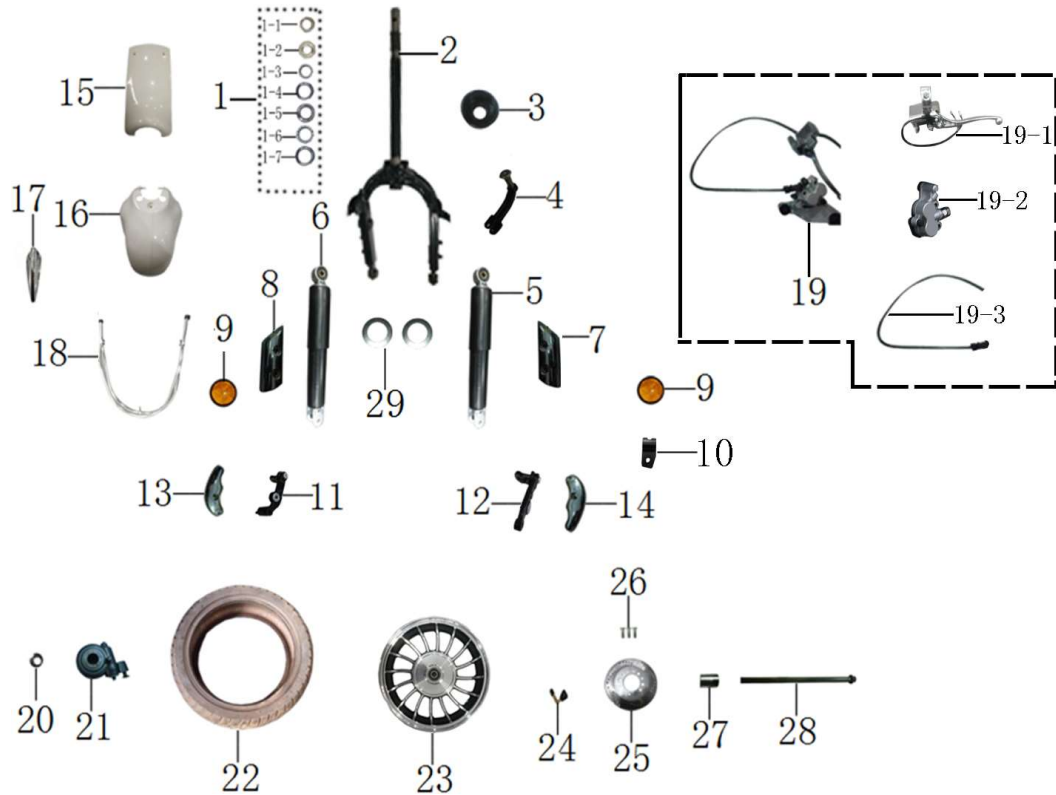
序号 NO.	代码 CODE	名称 CHINESE NAME	English name	数量 QTY	单位 UNIT
1	TY-DHF161-03-01	杂物箱前罩盖板 (ABS烤漆)	luggage box front small cover	1	PC
2	TY-DHF161-03-02	杂物箱前罩 (ABS烤漆)	luggage box front cover	1	PC
3	TY-DHF161-03-03	边箱锁板	Side box lock plate	1	PC
4	TY-DHF161-03-04	右护板盖板 (ABS烤漆)	Right guard cover plate	1	PC
5	TY-DHF161-03-05	右装饰板置物箱盒	Right decorative panel storage box	1	PC
6	TY-DHF161-03-06	右护板摇臂轨道 (1)	Right guard rocker arm track (1)	1	PC
7	TY-DHF161-03-07	右护板摇臂轨道 (2)	Right guard rocker arm track (2)	1	PC
8	TY-DHF161-03-08	右护板盖板摇臂	Right guard cover rocker arm	1	PC
9	TY-DHF161-03-09	后左保险杠	Rear left bumper	1	PC
10	TY-DHF161-03-10	左装饰板 (ABS烤漆)	Left decorative board	1	PC
11	TY-DHF161-03-11	杂物箱内盖	inner cover, luggage box	1	PC
12	TY-DHF161-03-12	杂物箱胶条	Glove box rubber strip	1	PC
13	TY-DHF161-03-13	杂物箱	luggage box	1	PC
14	TY-DHF161-03-14	右装饰板 (ABS烤漆)	right decorative board	1	PC
15	TY-DHF161-03-15	后右保险杠	Rear right bumper	1	PC
16	TY-DHF161-03-16	座垫	seat	1	PC
17	TY-DHF161-03-17	后左转向灯夹板	Rear left turn signal clamp	1	PC
18	TY-DHF161-03-18	左后转向灯装饰圈 (ABS电镀)	Left rear turn signal decorative ring	1	PC
19	TY-DHF161-03-19	后左转向灯	Rear left turn signal	1	PC
20	TY-DHF161-03-20	后尾灯壳 (ABS烤漆)	Rear tail lamp shell	1	PC
21	TY-DHF161-03-21	后尾灯	rear taillight	1	PC
22	TY-DHF161-03-22	后中心护板 (ABS烤漆)	Rear center guard	1	PC
23	TY-DHF161-03-23	后右转向灯夹板	Rear right turn signal clamp	1	PC

24	TY-DHF161-03-24	右后转向灯装饰圈 (ABS电镀)	Left rear turn signal decorative ring	1	PC
25	TY-DHF161-03-25	后右转向灯	Rear right turn signal	1	PC
26	TY-DHF161-03-26	后内泥板	Rear inner mud fender	1	PC

27	TY-DHF161-03-27	后载物架	Rear carrier(default)	1	PC
27-1	TY-DHF161-03-28	后载物架（可装尾箱状态）	Rear carrier(it can be equipped with box)	1	PC
28	TY-DHF161-03-29	牌照支架盖板（ABS烤漆）	License plate bracket cover	1	PC
29	TY-DHF161-03-30	牌照灯	license lamp	1	PC
30	TY-DHF161-03-31	牌照塑料支架（ABS烤漆）	licence plastic bracket	1	PC
31	09050003	后侧反射器	rear side reflector	1	PC
32	TY-DHF161-03-33	牌照支架	licence bracket	2	PC
33	09050001	后反射器	rear reflector	1	PC

图4 前叉、前轮泥板、前减震、前碟刹泵及前轮总成

Front fork, front wheel fender, front shock absorber, front disc brake pump assy, front wheel assy



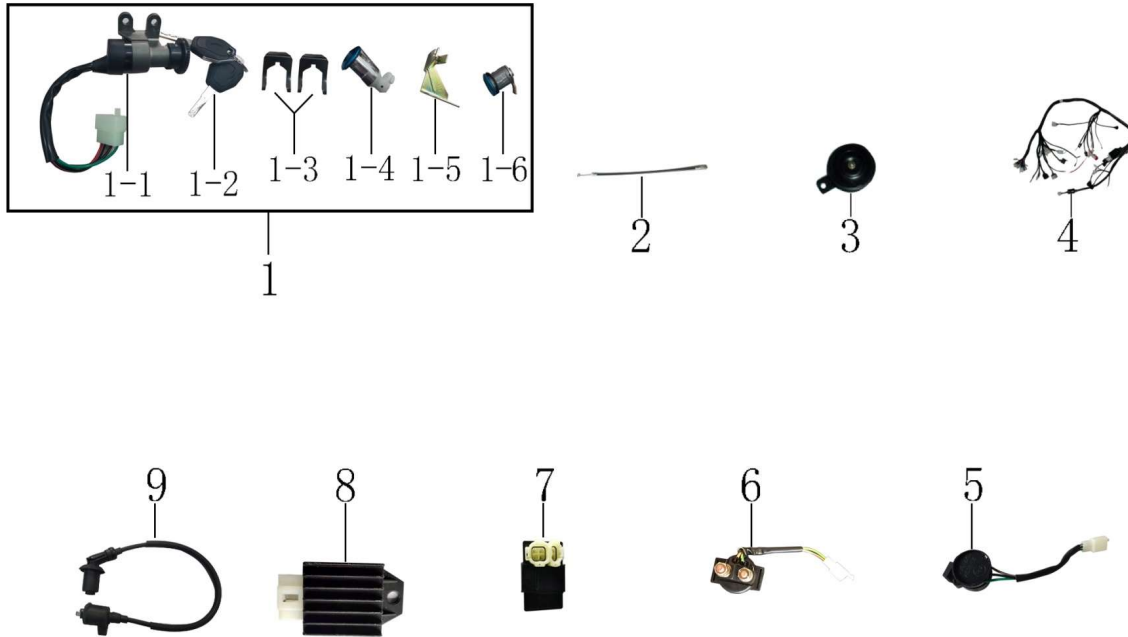
序号 NO.	代码 CODE	名称 CHINESE NAME	English name	数量 QTY	单位 UNIT
1	TY-DHF161-04-01	全套钢碗	Full set of steel bowls	1	SET
2	TY-DHF161-04-09	前叉	Front fork	1	PC
3	TY-DHF161-04-10	钢碗防尘帽	Steel bowl dust cap	1	PC
4	TY-DHF161-04-11	碟刹下泵安装支架（三大摇臂）	Disc brake pump bottom installation brakeket	1	PC
5	TY-DHF161-04-12	前左减震	Front left shock absorber	1	PC
6	TY-DHF161-04-13	前右减震	Front right shock absorber	1	PC
7	TY-DHF161-04-14	左前叉护盖（ABS电镀）	Left cover of front fork	1	PC
8	TY-DHF161-04-15	右前叉护盖（ABS电镀）	Riht cover of front fork	1	PC
9	09050002	侧反射器	Side reflector	2	PC
10	TY-DHF161-04-17	碟刹油管夹	Dise brake oil hose clip	1	PC
11	TY-DHF161-04-18	右摇臂（三大摇臂）	Left rocker arm	1	PC
12	TY-DHF161-04-19	左摇臂（三大摇臂）	Right rocker arm	1	PC
13	TY-DHF161-04-20	右摇臂护盖（ABS电镀）	Right rocker arm cover	1	PC
14	TY-DHF161-04-21	左摇臂护盖（ABS电镀）	Left rocker arm cover	1	PC
15	TY-DHF161-04-22	前泥板后部（ABS烤漆）	Rear section of front fender	1	PC

16	TY-DHF161-04-23	前泥板前部 (ABS烤漆)	Front section of front fender	1	PC
17	TY-DHF161-04-24	前泥板装饰条 (ABS电镀)	Decorative strip of front fender	1	PC
18	TY-DHF161-04-25	前保险杠	Front bumper	1	PC
19	TY-DHF161-04-26	前碟刹泵总成	Front disc brake pump assy	1	PC
19-1	TY-DHF161-04-27	前碟刹泵上泵	upper pump, front disc	1	PC
19-2	TY-DHF161-04-28	前碟刹泵下泵	lower pump, front disc	1	PC
19-3	TY-DHF161-04-29	前碟刹泵油管	oil pipe, front disc	1	PC
20	TY-DHF161-04-30	六角法兰面锁紧螺母GB/T6187.1 M12×1.25	Hexagon flange lock nut GB / t6187.1 M12 × 1.25	1	PC
21	TY-DHF161-04-31	传动器	Counter	1	PC
22	TY-DHF161-04-32	前轮胎	Front tire	1	PC
23	TY-DHF161-04-33	前铝轮毂	Front aluminum rim	1	PC
24	190225	气门嘴 (含防尘帽)	Valve (including dust cap)	1	PC
25	TY-DHF161-04-35	碟刹盘	Disc brake disc	1	PC
26	TY-DHF161-04-36	碟刹盘螺栓M8×25	Disc brake bolt M8 × 25	3	PC
27	TY-DHF161-04-37	前轮衬套 φ 12x φ 20×44	Front wheel bushing	1	PC
28	TY-DHF161-04-38	前轮轴 M12×247	Front axle M12×247	1	PC
29	TY-DHF161-04-39	下联板钢碗垫片	Lower coupling plate steel bowl gasket	2	PC

图5 电门锁、主电缆及全套电器件

Ignition

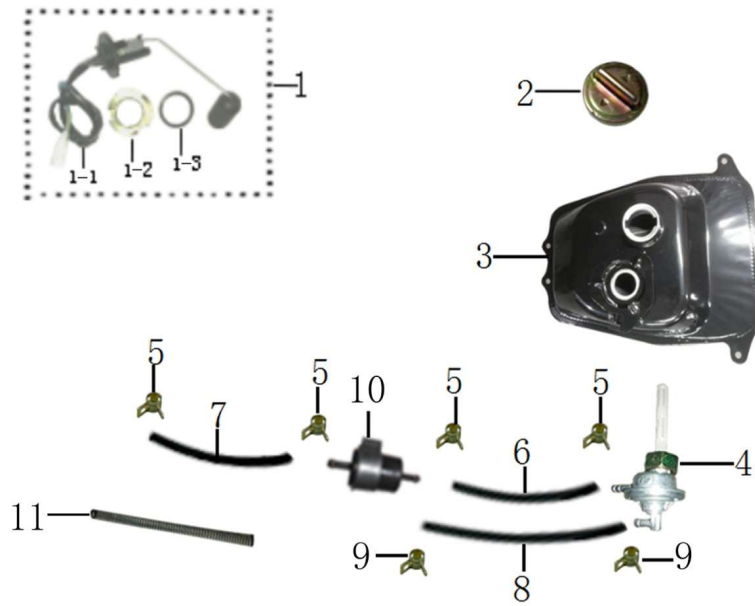
switch, main cable & whole electric parts



序号 NO.	代码 CODE	名称 CHINESE NAME	English name	数量 QTY	单位 UNIT
1	TY-DHF161-05-01	电门锁总成	Ignition switch	1	SET
2	TY-DHF161-05-08	座垫锁线	Seat lock cable	1	PC
3	10070001	电喇叭	Electric horn	1	PC
4	TY-DHF50-05-10	主电缆	Main cable	1	PC
5	01020011	闪光器	Flasher	1	PC
6	01020021	启动继电器	Start relay	1	PC
7	01020016	点火器	CDI	1	PC
8	TY-DHF50-05-14	稳压器	Regulator	1	PC

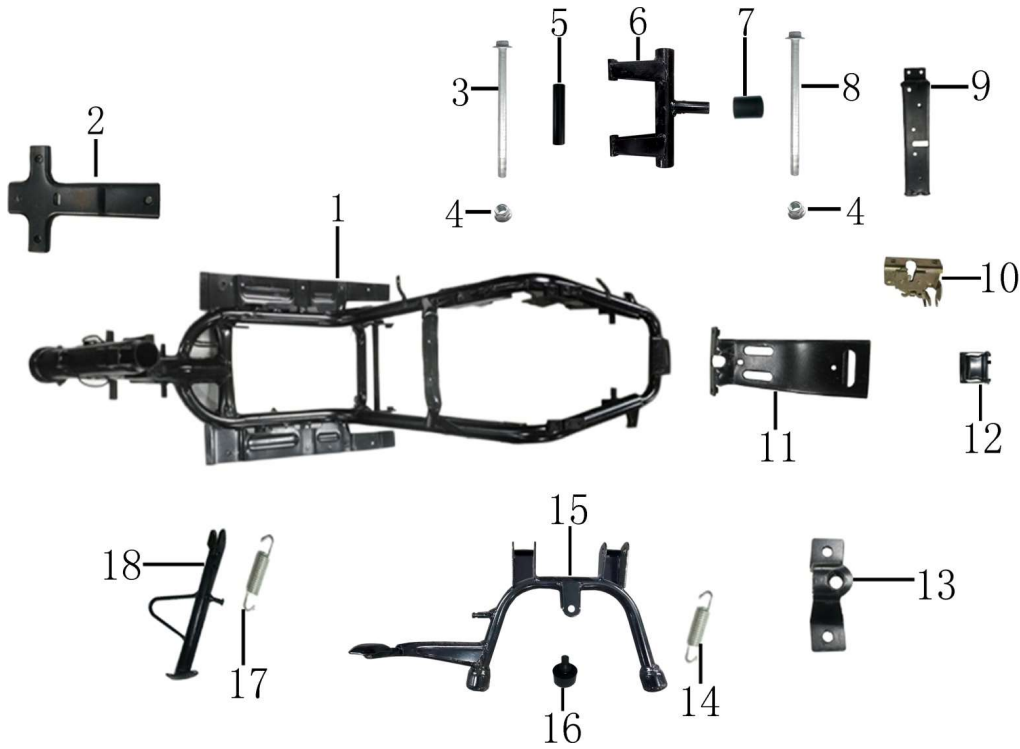
9	01020022	高压包	Coil	1	PC
---	----------	-----	------	---	----

图6 油箱、燃油传感器、油管、燃油过滤器、油开关  
Fuel tank, fuel sensor, fuel hose, fuel filter, fuel pump



序号 NO.	代码 CODE	名称 CHINESE NAME	English name	数量 QTY	单位 UNIT
1	TY-DHF161-06-01	燃油传感器总成	Fuel sensor assy	1	PC
1-1	TY-DHF161-06-02	燃油传感器	Fuel sensor	1	PC
1-2	TY-DHF161-06-03	传感器压板	Fuel sensor pressure plate	1	SET
1-3	TY-DH161-06-04	传感器密封圈	Sealing ring of fuel sensor	1	PC
2	TY-DHF161-06-05	油箱盖	Fuel tank cap	1	PC
3	TY-DHF161-06-06	油箱	Fuel tank	1	PC
4	TY-DHF161-06-07	油开关	Fuel pump	1	PC
5	12010007	油管卡箍 $\phi 8.3$	Fuel hose clip	4	PC
6	06030006	汽油管 I 90 m m	Gasoline pipe I	1	PC
7	06030006	汽油管 II 260 m m	Gasoline pipe II	1	PC
8	06030001-2	负压管 485 m m	Negative pressure hose	1	PC
9	12010010	负压管卡箍 $\phi 7.0$	Negative pressure hose clip	2	PC
10	06990001	汽油过滤器	Gasoline filter	1	PC
11	TY-DHF161-06-14	油管保护弹簧		1	PC

图7 车架及铁件散件  
Frame&component parts



序号 NO.	代码 CODE	名称 CHINESE NAME	English name	数量 QTY	单位 UNIT
1	TY-DHF50-07-01	车架	Frame	1	PC
2	TY-DHF161-07-02	前面板支架	Front panel bracket	1	PC
3	TY-DHF50-07-03	六角法兰面螺栓 M10x1.25x220	screw M10x1.25x220	1	PC
4	TY-DHF50-07-04	六角法兰面锁紧螺母 M10×1.25	nut M10×1.25	2	PC
5	TY-DHF50-07-05	吊架衬套	hanger bushing	1	PC
6	TY-DHF50-07-06	吊架	Hanger	1	PC
7	TY-DHF50-07-07	吊架缓冲橡胶	Hanger cushion rubber	1	PC
8	TY-DHF50-07-08	六角法兰面螺栓 M10x1.25×215	screw M10x1.25x215	1	PC
9	TY-DHF161-07-14	油箱压板	Fuel tank pressure plate	1	PC
10	TY-DHF161-07-09	座垫锁板	Seat lock plate	1	PC
11	TY-DHF161-07-15	后泥板支架	Rear fender bracket	1	PC
12	TY-DHF50-07-12	坐垫摇臂	Cushion rocker arm	1	PC
13	TY-DHF50-07-13	后货架座	Rear carrier bracket	1	PC
14	TY-DHF50-07-14	双撑弹簧	Main stand spring	1	PC
15	TY-DHF50-07-15	双撑	Main stand	1	PC
16	TY-DHF50-07-16	双撑缓冲件	Main stand buffer rubber	1	PC
17	TY-DHF50-07-17	单撑弹簧	Side stand spring	1	PC
18	TY-DHF50-07-18	单撑	Side stand	1	PC

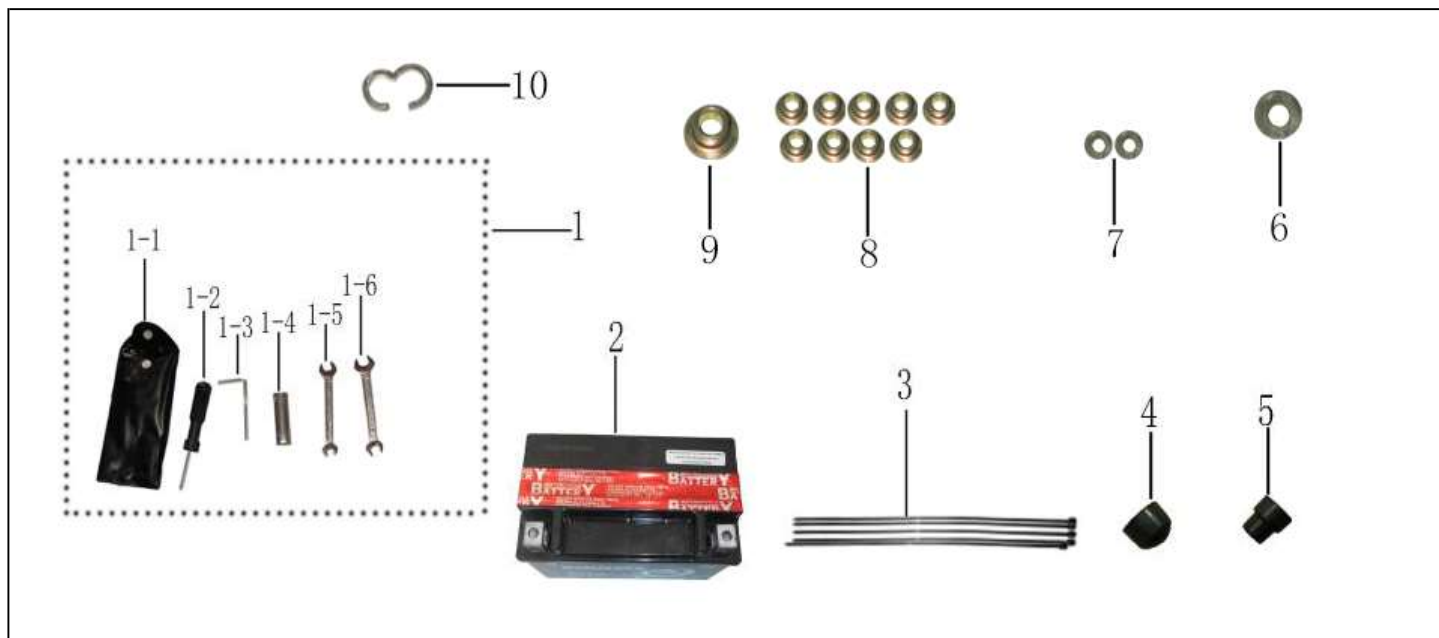


**图8 发动机、化油器、消声器、空滤器、后轮及后减震**  
**Engine, carburetor, muffler, air cleaner, rear wheel, rear shock absorber**



序号 NO.	代码 CODE	名称 CHINESE NAME	English name	数量 QTY	单位 UNIT
1	TY-DHF50-08-01	消声器	Muffler	1	PC
2	TY-DHF161-08-02	消声器垫圈	Muffler sealing ring	1	PC
3	TY-DHF50-08-03	发动机	Engine	1	PC
4	TY-DHF50-08-04	二次补气阀	Secondary air supply valve	1	PC
5	01030003	化油器	Carburetor	1	PC
6	TY-DHF50-08-06	后铝轮毂	Rear aluminum rim	1	PC
7	TY-DHF161-08-07	后轮胎	Rear tire	1	PC
8	TY-DHF161-08-08	气门嘴(含防尘帽)	Valve (including dust cap)	1	PC
9	TY-DHF50-08-09	后减震	Rear shock absorber	1	PC
10	TY-DHF50-08-10	后轮泥板支架	Rear wheel fender bracket	1	PC
11	TY-DHF50-08-11	后轮挡泥板	Rear wheel fender	1	PC
12	01040001	空滤器	Air cleaner assembly	1	PC
12-1	TY-DHF50-08-13	空滤器上盖	Upper cover of air filter	1	PC
12-2	TY-DHF50-08-14	空滤器滤芯隔片	Filter element spacer of air filter	1	PC
12-3	TY-DHF50-08-15	空滤器滤芯海绵	Air filter sponge	1	PC
12-4	TY-DHF50-08-16	空滤器下盖	Lower cover of air filter	1	PC
13	TY-DHF50-08-17	空滤器进气弯管	Inlet elbow of air filter	1	PC

**图9 随车工具包、蓄电池、扎带及附件**  
**Tool kit, battery, belting&attachment**



序号 NO.	代码 CODE	名称 CHINESE NAME	English name	数量 QTY	单位 UNIT
1	TY-DHF161-09-01	随车工具包总成	Tool kit	1	PC
1-1	16990010	工具袋	Tool bag	1	PC
1-2	16010006	螺丝刀	Screwdriver	1	PC
1-3	16010002	内六角扳手	Socket head wrench	1	PC
1-4	16010007	火花塞套筒	Spark plug sleeve	1	PC
1-5	16010005	双头扳手 12-14	Wrench 12-14	1	PC
1-6	TY-DHF161-09-07	双头扳手 14-17	Wrench 14-17	1	PC
2	10990001	蓄电池	Battery	1	PC
3	TY-DHF161-09-09	扎带	Belting	8	PC
4	TY-DHF161-09-10	前轮轴螺母橡胶盖17mm	Rubber cap for front axle nut 17mm	1	PC
5	TY-DHF161-09-11	前轮轴橡胶盖14mm	Rubber cap for front axle 14mm	1	PC
6	TY-DHF161-09-12	后装饰板橡胶圈(内径 $\phi$ 12mm)	Rubber ring ,conection plate of decorative plate(diameter $\phi$ 12mm)	1	PC