

TY50QT-K NEW CF



图C

序号 REF	代码 CODE	名称
1	TY50QT-K-001-001	后视镜组件
2	TY50QT-K-001-002	大灯镀铬框
3	TY50QT-K-001-003	自攻螺钉 (ST4.2×16)
4	TY50QT-K-001-004	自攻螺钉 (ST4.2×12)
5	TY50QT-K-001-005	右位置灯
6	TY50QT-K-001-006	左位置灯
7	TY50QT-K-001-007	自攻螺钉 (ST4.2×12)
8	TY50QT-K-001-008	头罩
9	TY50QT-K-001-009	卡片 STM4.0
10	TY50QT-K-001-010	自攻螺钉 (ST4.8×16)
11	TY50QT-K-001-011	半圆头内六角 (M6×30)
12	TY50QT-K-001-012	大灯
13	TY50QT-K-001-013	六角法兰面螺栓(M8×45)
14	TY50QT-K-001-014	六角法兰面锁紧螺母 M10
15	TY50QT-K-001-015	挡风玻璃
16	TY50QT-K-001-016	挡风玻璃配套螺丝





图002 头

序号 REF	代码 CODE	名称
1	TY50QT-K-002-001	仪表壳镀铬框
2	TY50QT-K-002-002	自攻螺钉(ST4.2×12)
3	TY50QT-K-002-003	仪表壳
4	TY50QT-K-002-004	半圆头内六角(M6×30)
5	TY50QT-K-002-005	自攻螺钉(ST4.2×12)
6	TY50QT-K-002-006	自攻螺钉(ST4.8×16)
7	TY50QT-K-002-007	卡片
8	TY50QT-K-002-008	仪表
9	TY50QT-K-002-009	自攻螺钉(ST4.2×12)
10	TY50QT-K-002-010	自攻螺钉(ST4.8×16)
11	TY50QT-K-002-011	卡片





图00

序号 REF	代码 CODE	名称
1	TY50QT-K-003-001	油门转把
2	TY50QT-K-003-002	方向把焊接组合
3	TY50QT-K-003-003	左手把套
5	TY50QT-K-003-005	螺母 M10
6	TY50QT-K-003-006	弹簧垫 $\phi 10$
7	TY50QT-K-003-007	衬套 专用弧形
8	TY50QT-K-003-008	六角法兰面螺栓 (M10×45)
9	TY50QT-K-003-009	左右组合开关
10	TY50QT-K-003-010	电喷油门线
11	TY50QT-K-003-011	后制动拉索
12	TY50QT-K-003-012	里程线



图00

序号 REF	代码 CODE	名称
1	TY50QT-K-004-001	前转向灯右
2	TY50QT-K-004-002	自攻螺钉 (ST4.2×12)

3	TY50QT-K-004-003	自攻螺钉 (ST4.8×12)
4	TY50QT-K-004-004	卡片 STM4.0
5	TY50QT-K-004-005	前大板
6	TY50QT-K-004-006	彩垫
7	TY50QT-K-004-007	内六角螺栓
8	TY50QT-K-004-008	自攻螺钉 (ST4.2×12)
9	TY50QT-K-004-009	前转向灯左
10	TY50QT-K-004-010	面板装饰框 镀珞
11	TY50QT-K-004-011	自攻螺钉 (ST4.2×12)
12	TY50QT-K-004-012	车架挡泥板
13	TY50QT-K-004-013	自攻螺钉 (ST4.2×12)
14	TY50QT-K-004-014	六角法兰面螺栓 (M6×16)
15	TY50QT-K-004-015	平垫 $\phi 6 \times \phi 18 \times 1$
16	TY50QT-K-004-016	装饰板左
17	TY50QT-K-004-017	自攻螺钉 (ST4.2×12)
18	TY50QT-K-004-018	卡片 STM4.0
19	TY50QT-K-004-019	自攻螺钉 (ST4.2×12)
20	TY50QT-K-004-020	后转向灯左
21	TY50QT-K-004-021	自攻螺钉 (ST4.2×12)
22	TY50QT-K-004-022	卡片 STM4.0
23	TY50QT-K-004-023	装饰板右
24	TY50QT-K-004-024	后转向灯右



图

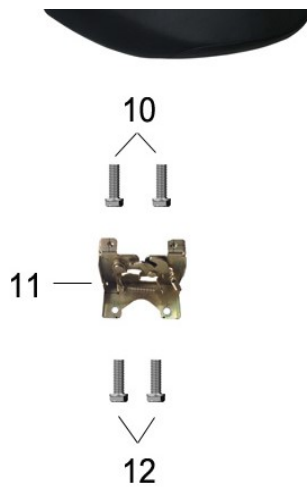
序号 REF	代码 CODE	名称
--------	---------	----

1	TY50QT-K-005-001	电门锁
2		电门锁盖
3		卡片
4		钥匙
5		杂物箱锁
6		电门锁板
7		杂物箱锁摇臂
8	TY50QT-K-005-002	十字盘头 (M 6×16)



序号 REF	代码 CODE	名称
1	TY50QT-K-006-001	座垫总成
2	TY50QT-K-006-002	行李箱
3	TY50QT-K-006-003	六角法兰面螺栓 (M6×16)
4	TY50QT-K-006-004	杂物箱内盖
5	TY50QT-K-006-005	自攻螺钉 (ST4.2×12)
6	TY50QT-K-006-006	自攻螺钉 (ST4.2×12)
7	TY50QT-K-006-007	杂物箱前罩
8	TY50QT-K-006-008	杂物箱前罩小盖
9	TY50QT-K-006-009	自攻螺钉 (ST4.2×12)
10	TY50QT-K-006-010	六角法兰面螺栓 (M6×12)
11	TY50QT-K-006-011	坐垫锁板
12	TY50QT-K-006-012	六角法兰面螺栓 (M6×12)
13	TY50QT-K-006-013	坐垫锁线





图C

序号 REF	代码 CODE	名称
1	TY50QT-K-007-001	后泥板
2	TY50QT-K-007-002	卡片 STM4.0
3	TY50QT-K-007-003	自攻螺钉 (ST4.8×16)
4	TY50QT-K-007-004	后中心连接板
5	TY50QT-K-007-005	自攻螺钉 (ST4.2×12)
6	TY50QT-K-007-006	后货架 A 镀珞
7	TY50QT-K-007-007	半圆头内六角 (M8×20)
8	TY50QT-K-007-008	半圆头内六角 (M8×40)
9	TY50QT-K-007-009	牌照支架
10	TY50QT-K-007-010	六角法兰面螺栓 (M6×16)
11	TY50QT-K-007-011	螺母 M6
12	TY50QT-K-007-012	反光牌
13	TY50QT-K-007-013	螺母 M6
14	TY50QT-K-007-014	螺母 M6
15	TY50QT-K-007-015	后尾灯
16	TY50QT-K-007-016	自攻螺钉 (ST4.2×12)
17	TY50QT-K-007-017	牌照灯
18	TY50QT-K-007-018	后挡泥板加强支架
19	TY50QT-K-007-019	六角法兰面螺栓 (M6×16)
20	TY50QT-K-007-020	平垫 $\phi 6 \times \phi 18 \times 1$
21	TY50QT-K-007-021	后货架带后靠背 B
22	TY50QT-K-007-022	半圆头内六角 (M8×20)
23	TY50QT-K-007-023	后货架
24	TY50QT-K-007-024	半圆头内六角 (M8×20)

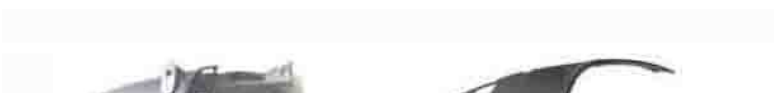




图008

序号 REF	代码 CODE	名称
1	TY50QT-K-008-001	工具箱
2	TY50QT-K-008-002	自攻螺钉 (ST4.2×12)
3	TY50QT-K-008-003	卡片 STM4.0
4	TY50QT-K-008-004	自攻螺钉 (ST4.8×16)
5	TY50QT-K-008-005	工具箱上连接板
6	TY50QT-K-008-006	挂钩
7	TY50QT-K-008-007	六角法兰面螺栓 (M6×16)
8	TY50QT-K-008-008	号码盖
9	TY50QT-K-008-009	脚踏板
10	TY50QT-K-008-010	平垫 $\phi 6 \times \phi 18 \times 1$
11	TY50QT-K-008-011	六角法兰面螺栓 M6×20
12	TY50QT-K-008-012	脚踏板盖
13	TY50QT-K-008-013	电瓶盒
14	TY50QT-K-008-014	卡片 STM4.0
15	TY50QT-K-008-015	自攻螺钉 (ST4.8×16)
16	TY50QT-K-008-016	电瓶盖
17	TY50QT-K-008-017	自攻螺钉 (ST4.2×12)
18	TY50QT-K-008-018	工具箱盖
19	TY50QT-K-008-019	自攻螺钉 (ST4.2×12)
20	TY50QT-K-008-020	蓄电池
21	TY50QT-K-008-021	电解液



图

序号 REF	代码 CODE	名称
1	TY50QT-K-009-001	燃油箱
2	TY50QT-K-009-002	卧式电子油泵
3	TY50QT-K-009-003	自带螺丝
4	TY50QT-K-009-004	油箱盖
5	TY50QT-K-009-005	燃油传感器总成
6	TY50QT-K-009-006	高压油管
7	TY50QT-K-009-007	油管专用阴极接头
8	TY50QT-K-009-008	高压油管抱箍 (M6×12)
9	TY50QT-K-009-009	节气门阀体总成
10	TY50QT-K-009-010	六角法兰面螺栓 (M6×12)





图1

序号 REF	代码 CODE	名称
1	TY50QT-K-010-001	主电缆
3	TY50QT-K-010-003	电喷专用高压包
4	TY50QT-K-010-004	闪光器
5	TY50QT-K-010-005	稳压器18级
6	TY50QT-K-010-006	六角法兰面螺栓 (M6×16)
7	TY50QT-K-010-007	大灯控制器
8	TY50QT-K-010-008	电喇叭
9	TY50QT-K-010-009	六角法兰面螺栓 (M6×12)
10	TY50QT-K-010-010	扎带
11	TY50QT-K-010-011	电喷继电器





图011

序号 REF	代码 CODE	名称
1	TY50QT-K-011-001	钢碗
2	TY50QT-K-011-002	方向柱焊接组合
6	TY50QT-K-011-006	里程线线夹
7	TY50QT-K-011-007	六角法兰面螺栓 M6×12
8	TY50QT-K-011-008	刹车油管线夹
9	TY50QT-K-011-009	六角法兰面螺栓 M6×12
10	TY50QT-K-011-010	前左减震器总成
11	TY50QT-K-011-011	前右减震器总成
12	TY50QT-K-011-012	六角法兰面螺栓 (M8×35)
13	TY50QT-K-011-013	前泥板前部
14	TY50QT-K-011-014	前泥板后部
15	TY50QT-K-011-015	六角法兰面螺栓 (M6×16)





序号 REF	代码 CODE	名称
1	TY50QT-K-012-001	轮胎
2	TY50QT-K-012-002	前轮毂
3	TY50QT-K-012-003	气门嘴
4	TY50QT-K-012-004	碟刹盘
5	TY50QT-K-012-005	计数器
6	TY50QT-K-012-006	碟刹盘螺丝M8×25mm
7	TY50QT-K-012-007	前轮轴 (M10×195)
8	TY50QT-K-012-008	衬套
9	TY50QT-K-012-009	螺母 (M10)
10	TY50QT-K-012-010	前碟刹总成
11	TY50QT-K-012-011	碟刹上泵
12	TY50QT-K-012-012	液压油管
13	TY50QT-K-012-013	碟刹下泵
14	TY50QT-K-012-014	刹车片



序号 REF	代码 CODE	名称
		图

1	TY50QT-K-013-001	消声器电喷专用
2	TY50QT-K-013-002	六角法兰面螺栓 (M8×50)
3	TY50QT-K-013-003	六角法兰面螺栓 (M8×65)
4	TY50QT-K-013-004	盖形螺母(M6×32)
5	TY50QT-K-013-005	消垫器垫圈
6	TY50QT-K-013-006	氧传感器

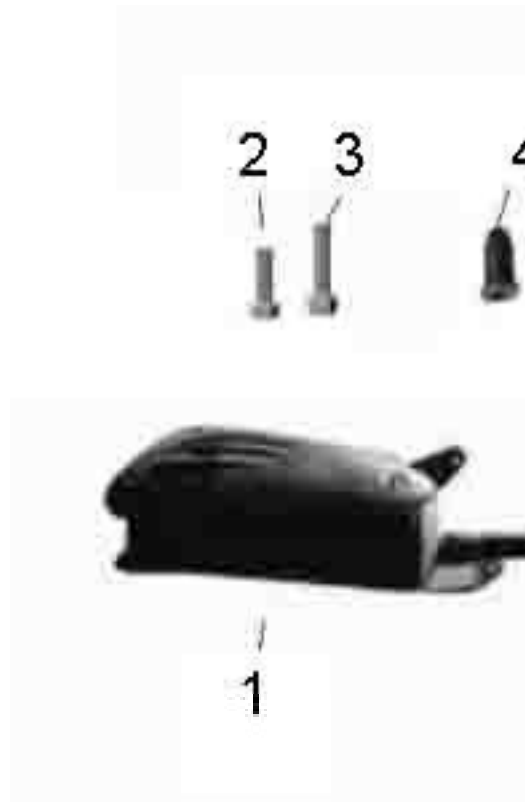


图01

序号 REF	代码 CODE	名称
1	TY50QT-K-014-001	轮胎
2	TY50QT-K-014-002	气门嘴
3	TY50QT-K-014-003	铝合金后轮毂
4	TY50QT-K-014-004	螺母 (M16)
5	TY50QT-K-014-005	后轮挡泥板
6	TY50QT-K-014-006	盖形螺母 (M6×16)
7	TY50QT-K-014-007	后轮挡泥板支架
8	TY50QT-K-014-008	六角法兰面螺栓 (M6×12)
9	TY50QT-K-014-009	后减震器总成
10	TY50QT-K-014-010	六角法兰面螺栓 (M10×45)
11	TY50QT-K-014-011	弹垫 $\phi 10$
12	TY50QT-K-014-012	平垫 $\phi 10 \times \phi 20 \times 1.5$
13	TY50QT-K-014-013	六角法兰面螺栓 (M8×32)
14	TY50QT-K-014-014	发动机
15	TY50QT-K-014-015	制动蹄块外壳
16	TY50QT-K-014-016	制动蹄块

17	TY50QT-K-014-017	后制动摇臂轴
18	TY50QT-K-014-018	后制动摇臂
19	TY50QT-K-014-019	缸温传感器



序号 REF	代码 CODE	名称
1	TY50QT-K-015-01	空滤器总成
2	TY50QT-K-015-02	空滤器下盖
3	TY50QT-K-015-03	空滤器滤芯
4	TY50QT-K-015-04	空滤器上盖
5	TY50QT-K-015-05	自攻螺钉
6	TY50QT-K-015-06	空滤器卡箍
7	TY50QT-K-015-07	六角法兰面螺栓 M6×30
8	TY50QT-K-015-08	六角法兰面螺栓 M8×30

图015





图016

序号 REF	代码 CODE	名称
1	TY50QT-K-016-001	车架焊接组合
2	TY50QT-K-016-002	吊架
3	TY50QT-K-016-003	吊架缓冲块
4	TY50QT-K-016-004	吊架隔套管
5	TY50QT-K-016-005	双撑
6	TY50QT-K-016-006	双撑安装轴 M8×175
7	TY50QT-K-016-007	螺母 M8
8	TY50QT-K-016-008	主撑弹簧及橡胶套
9	TY50QT-K-016-009	双撑缓冲垫
10	TY50QT-K-016-010	单撑
11	TY50QT-K-016-011	台阶螺丝
12	TY50QT-K-016-012	单撑弹簧
13	TY50QT-K-016-013	ECU微电脑控制器
14	TY50QT-K-016-014	单撑熄火

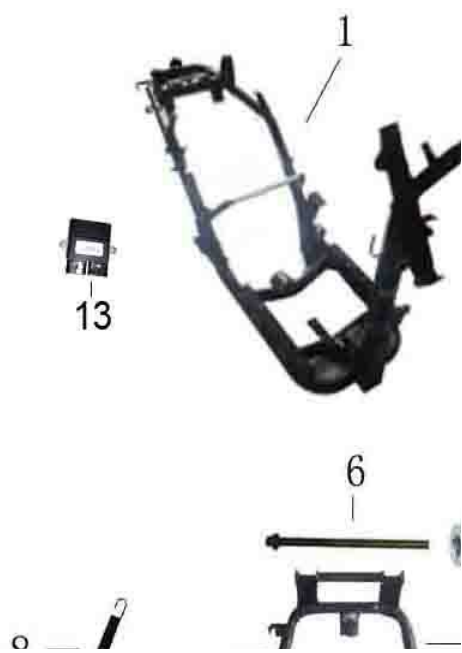




图17

序号 REF	代码 CODE	名称
1	TY50QT-K-017-001	随车工具
2		工具袋
3		两用螺丝刀
4		双头扳手 8×10
5		双头扳手 10×12
6		双头扳手 14×17
7		内六角扳手 6
8		火花塞套筒 四冲125



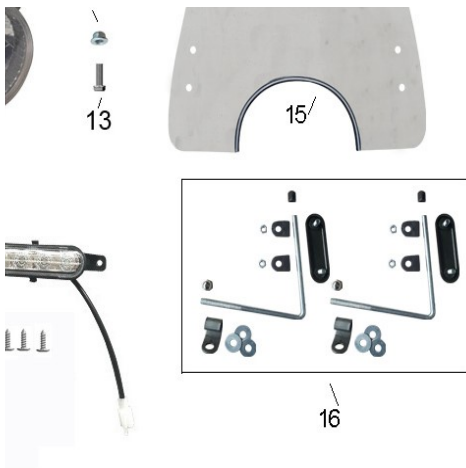
TY EFI SPARE PARTS CATALOGUE



001 头罩 / Hesd cover

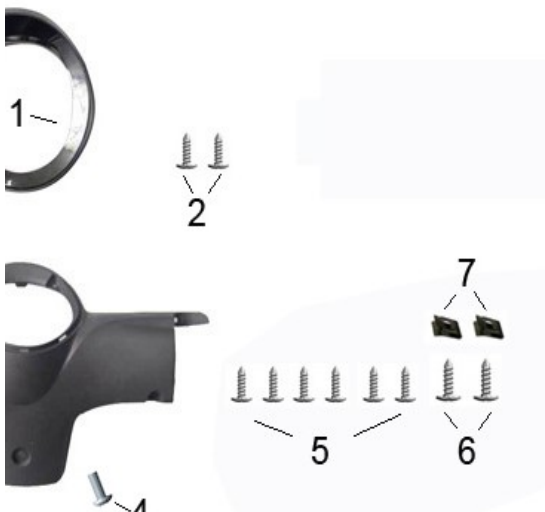
NAME	数量quantity	单位 UNIT(piece)	USD
mirror assembly	1	set	
Headlight chrome frame	1	pc	
tapping screw (ST4.2×16)	1	pc	
tapping screw (ST4.2×12)	2	pc	
Front position light, right	1	pc	
Front position light, Left	1	pc	
tapping screw (ST4.2×12)	6	pc	
Head cover	1	pc	
clip STM4.0	2	pc	
tapping screw (ST4.8×16)	2	pc	
In the six corners of the half round (M6×30)	1	pc	
headlamps	1	pc	
Hex Flange Screws (M8×45)	1	pc	
Hexagon locknut with flange M10	1	pc	
windshield as parts	1	pc	
windshield assy tool as parts	1	set	

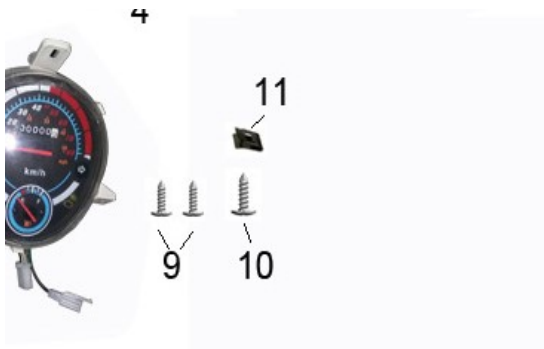




單后部/Head cover, rear part

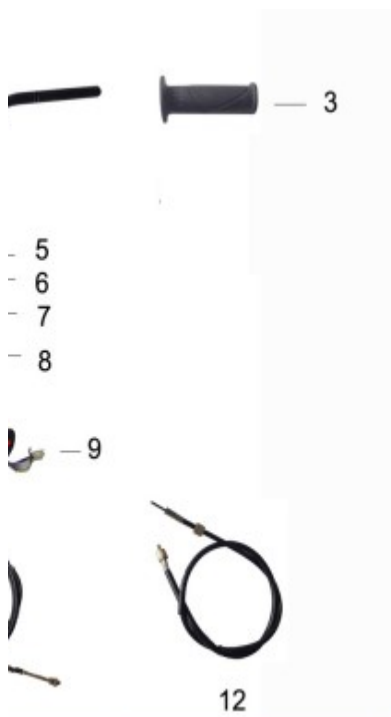
NAME	数量quantity	单位 UNIT(piece)	USD
Instrument shell chrome plated frame	1	pc	
tapping screw(ST4.2×12)	2	pc	
Instrument shell	1	pc	
In the six corners of the half round(M6×30)	1	pc	
tapping screw(ST4.2×12)	6	pc	
tapping screw(ST4.8×16)	2	pc	
clip	2	pc	
meter	1	pc	
tapping screw(ST4.2×12)	2	pc	
tapping screw(ST4.8×16)	1	pc	
clip	1	pc	





03 方向把/Steering bar

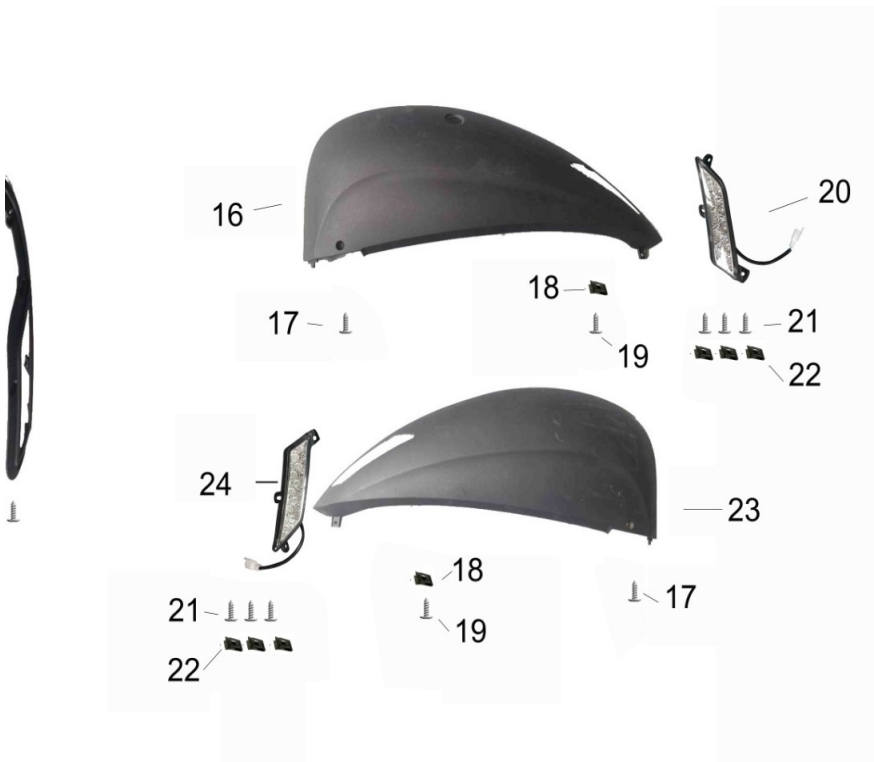
NAME	数量quantity	单位 UNIT(piece)	USD
Accelerator hand grip	1	pc	
Combination of the direction of the	1	pc	
Left hand grip	1	pc	
Nut M10	1	pc	
Spring pad $\varnothing 10$	1	pc	
bushing	1	pc	
hexagon nut with flange (M10×45)	1	pc	
combined switch	1	pc	
Accelerator cable	1	pc	
Rear brake cable	1	pc	
Mileage line	1	pc	



04 前大板/ Front cover

NAME	数量quantity	单位 UNIT(piece)	USD
Front turn signal lamp, Right	1	pc	
tapping screw (ST4.2×12)	4	pc	

tapping screw (ST4.8×12)	2	pc	
card STM4.0	2	pc	
Front cover	1	pc	
Color pad	1	pc	
Inner six angle bolt	1	pc	
tapping screw (ST4.2×12)	6	pc	
Front turn signal lamp, Left	1	pc	
Panel decorative frame Chrome-Plating	1	pc	
tapping screw (ST4.2×12)	11	pc	
Frame fender	1	pc	
tapping screw (ST4.2×12)	2	pc	
hexagon nut with flange (M6×16)	2	pc	
Flat pad $\phi 6 \times \phi 18 \times 1$	2	pc	
Left decorating board	1	pc	
tapping screw (ST4.2×12)	2	pc	
card STM4.0	2	pc	
tapping screw (ST4.2×12)	2	pc	
Rear turn lamp, Left	1	pc	
tapping screw (ST4.2×12)	6	pc	
card STM4.0	6	pc	
Right decorating board	3	pc	
Rear turn lamp, Right	1	pc	



1005 套锁/Lock assy			
NAME	数量quantity	单位 UNIT(piece)	USD

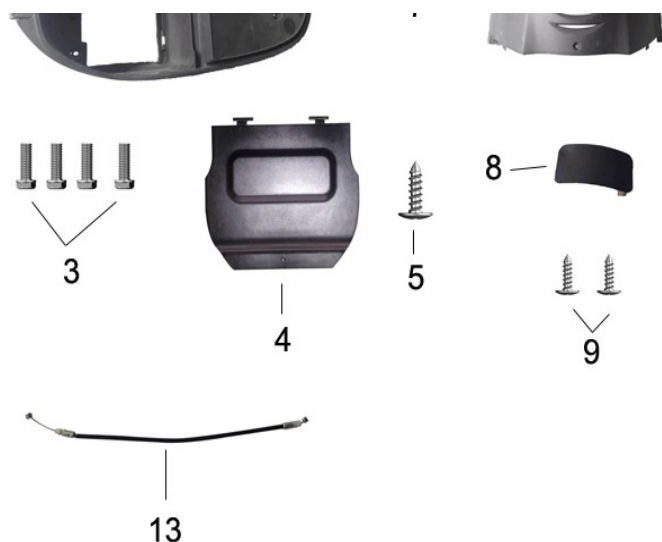
Electric door lock	1	set	
Switch lock cover			
card			
Key			
Glove box lock			
Switch lock plate			
Glove box lock rocker arm			
Cross head (M 6×16)	2	pc	



图006 座垫/Seat

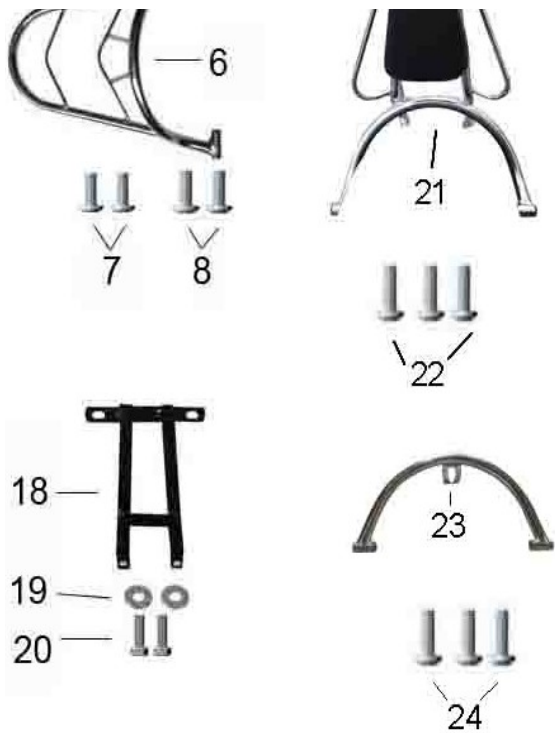
NAME	数量quantity	单位 UNIT(piece)	USD
Seat assy	1	pc	
Luggage	1	pc	
Hexagon flange bolts (M6×16)	4	pc	
Luggage inlet cover	1	pc	
tapping screw (ST4.2×12)	1	pc	
tapping screw (ST4.2×12)	6	pc	
Front cover of glove box	1	pc	
Small cover for front cover of glove box	1	pc	
tapping screw (ST4.2×12)	2	pc	
Hexagon flange bolts (M6×12)	2	pc	
Cushion lock plate	1	pc	
Hexagon flange bolts (M6×12)	2	pc	
seat cushion lock zipper	1	pc	





007 后尾灯/Tail light			
NAME	数量quantity	单位 UNIT(piece)	USD
Rear mudguard	1	pc	
card STM4.0	5	pc	
tapping screw (ST4.8×16)	5	pc	
Rear center connecting plate	1	pc	
tapping screw (ST4.2×12)	8	pc	
Rear Rack A 镀珞	1	pc	
In the six corners of the half round (M8×20)	2	pc	
In the six corners of the half round (M8×40)	2	pc	
License plate bracket	1	pc	
Hexagon flange bolts (M6×16)	2	pc	
Nut M6	2	pc	
reflecting board	1	pc	
Nut M6	2	pc	
Nut M6	1	pc	
Rear lamp	1	pc	
tapping screw (ST4.2×12)	5	pc	
License plate lamp	1	pc	
The rear fender reinforced support	1	pc	
Hexagon flange bolts (M6×12)	2	pc	
Flat pad $\varnothing 6 \times \varnothing 18 \times 1$	2	pc	
rear rack with back rest B	1	pc	
In the six corners of the half round (M8×20)	3	pc	
rear rack C	1	pc	
In the six corners of the half round (M8×20)	3	pc	





前置物箱/Front luggage			
NAME	数量quantity	单位 UNIT(piece)	USD
tool box	1	pc	
tapping screw (ST4.2×12)	10	pc	
card STM4.0	2	pc	
tapping screw (ST4.8×16)	2	pc	
Toolbox connection board	1	pc	
helmet hook	1	pc	
Hexagon flange bolts (M6×16)	1	pc	
number cover	1	pc	
pedal	1	pc	
Flat pad $\varnothing 6 \times \varnothing 18 \times 1$	4	pc	
Hexagon flange bolts M6×20	4	pc	
Cap footrest	4	pc	
battery box	1	pc	
card STM4.0	2	pc	
tapping screw (ST4.8×16)	2	pc	
battery cover	1	pc	
tapping screw	2	pc	
Box cover	1	pc	
tapping screw (ST4.2×12)	8	pc	
Battery	1	pc	
electrolyte	1	pc	



1009 油箱/ Fuel tank

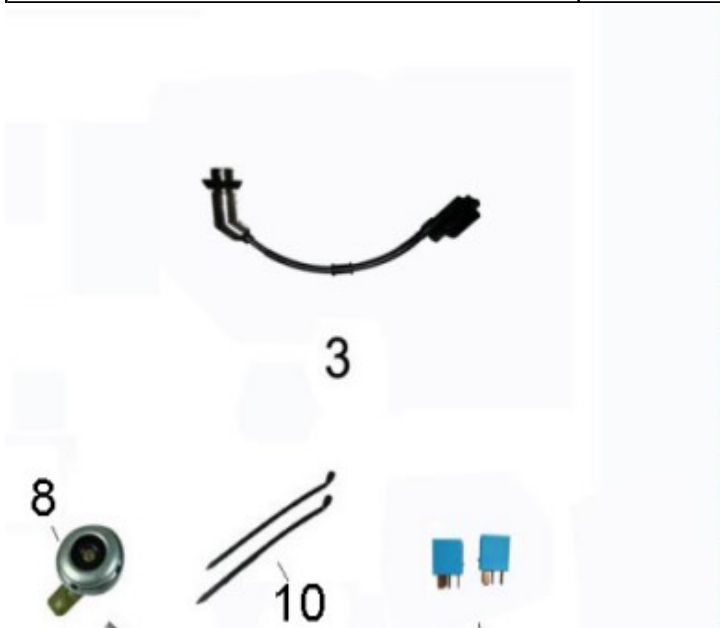
NAME	数量quantity	单位 UNIT(piece)	USD
fuel tank	1	pc	
HORIZONTAL FUEL PUMP	1	pc	
self tapping screw	6	pc	
oil tank cap	1	pc	
Fuel sensor assy	1	pc	
HIGH VOLTAGE FUEL TUBE	1	pc	
DEDICATED CATHODIC JOINT FOR FUEL TUBE	1	pc	
CLAMP FOR HIGH VOLTAGE FUEL TUBE (M6×12)	2	pc	
THROTTLE VALVE ASSY	1	pc	
Hexagon flange bolts (M6×12)	3	pc	

7



10 主电缆/Main cable

NAME	数量quantity	单位 UNIT(piece)	USD
Main cable	1	pc	
Ignition coil	1	pc	
Flasher	1	pc	
voltage regulator	1	pc	
Hexagon flange bolts (M6×16)	2	pc	
Headlight controller	1	pc	
electric horn	1	pc	
Hexagon flange bolts (M6×12)	1	pc	
Belt	7	pc	
EFI DEDICATED RELAY	2	pc	

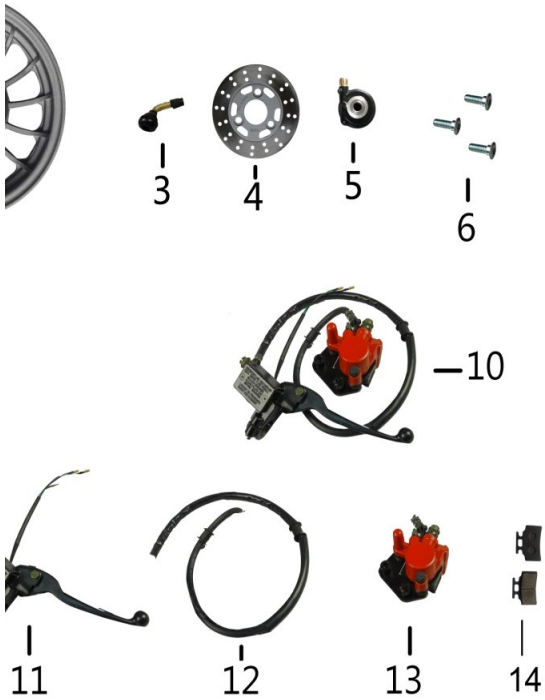




全套钢碗/Full steel bowl			
NAME	数量quantity	单位 UNIT(piece)	USD
Full steel bowl	1	pc	
Combination of column welding direction	1	pc	
speedometer clip	1	pc	
Hexagon flange bolts M6×12	1	pc	
Brake tubing clamp	1	pc	
Hexagon flange bolts M6×12	1	pc	
Front left absorber assy	1	pc	
Front right absorber assy	1	pc	
Hexagon flange bolts (M8×35)	4	pc	
Front mud plate	1	pc	
Rear mud plate	1	pc	
Hexagon flange bolts (M6×16)	3	pc	

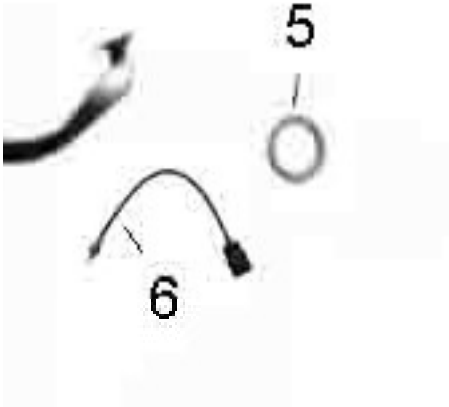


图012 前轮/Wheel			
NAME	数量quantity	单位 UNIT(piece)	USD
Tyre CST	1	pc	
Front hub	1	pc	
Cycle valve	1	pc	
Disc tray	1	pc	
Speedometer gear	1	pc	
screw,disk brake plate M8×25mm	1	pc	
Front wheel shaft (M10×195)	1	pc	
	1	pc	
Nut (M10)	1	pc	
Front disc brake assembly	1	pc	
Hydraulic brake before	1	pc	
hydraulic tubing	1	pc	
DISK BRAKE DOWN CYLINDER	1	pc	
front disc brake pads	1	set	



013 消声器/Muffler			
NAME	数量quantity	单位 UNIT(piece)	USD

MUFFLER ASSY	1	pc	
Hexagon flange bolts (M8×50)	1	pc	
Hexagon flange bolts (M8×65)	1	pc	
Cap nut(M6×32)	2	pc	
Muffler gasket	1	pc	
OXYGEN SENSOR	1	pc	



14 后减震/Rear shock

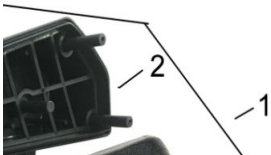
NAME	数量quantity	单位 UNIT(piece)	USD
Tyre CST	1	pc	
Cycle value	1	pc	
Rear alum. Whee	1	pc	
Nut (M16)	1	pc	
Rear wheel fender	1	pc	
Cover nut (M6 x 16)	2	pc	
Rear wheel fender bracket	1	pc	
Hexagon flange bolts (M6×12)	1	pc	
Rear absorber assy	1	pc	
Hexagon flange bolts (M10×45)	1	pc	
Spring washer \varnothing 10	1	pc	
Flat washer \varnothing 10× \varnothing 20×1.5	1	pc	
Hexagon flange bolts (M8×32)	1	pc	
Engine Assy	1	pc	
brake pads hub	1	pc	
Brake pads	1	pc	

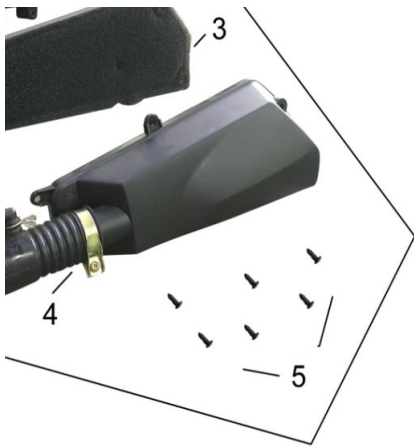
Rear brake rocker arm shaft	1	pc	
Rear brake rocker arm	1	pc	
CYLINDER HEAD TEMPERATURE	1	pc	



空滤气总成/Air filter assy

NAME	数量quantity	单位 UNIT(piece)	USD
Air filter assy	1	pc	
Air filter under the cover	1	pc	
Air filter filter core	1	pc	
air Cleaner upper lid	1	pc	
self tapping screw	6	pc	
Air filter clamp	1	pc	
Hexagon flange bolts M6×30	1	pc	
Hexagon flange bolts M8×30	1	pc	





车架铁件/Chassis frame			
NAME	数量quantity	单位 UNIT(piece)	USD
Frame welding assemblies	1	pc	
Hanger	1	pc	
Cradle welding buffer block	1	pc	
Casing hanger	1	pc	
Double brace	1	pc	
Main support support axle M8×175	1	pc	
Nut M8	1	pc	
Main standing spring&rubber sleeve	1	pc	
Double support cushion	1	pc	
Single support	1	pc	
Step screw	1	pc	
Single spring support	1	pc	
ECU (ELECTRIC CONTROL UNIT)	1	pc	
	1	pc	



随车工具/Driver's tool			
NAME	数量quantity	单位 UNIT(piece)	USD
Driver's tool	1	set	
Tool bag	1	pc	
Double use screw driver	1	pc	
Double-ened spanner 8×10	1	pc	
Double-ened spanner 10×12	1	pc	
Double-ened spanner 14×17	1	pc	
socket head wrench 6	1	pc	
Spark plug sleeve	1	pc	



