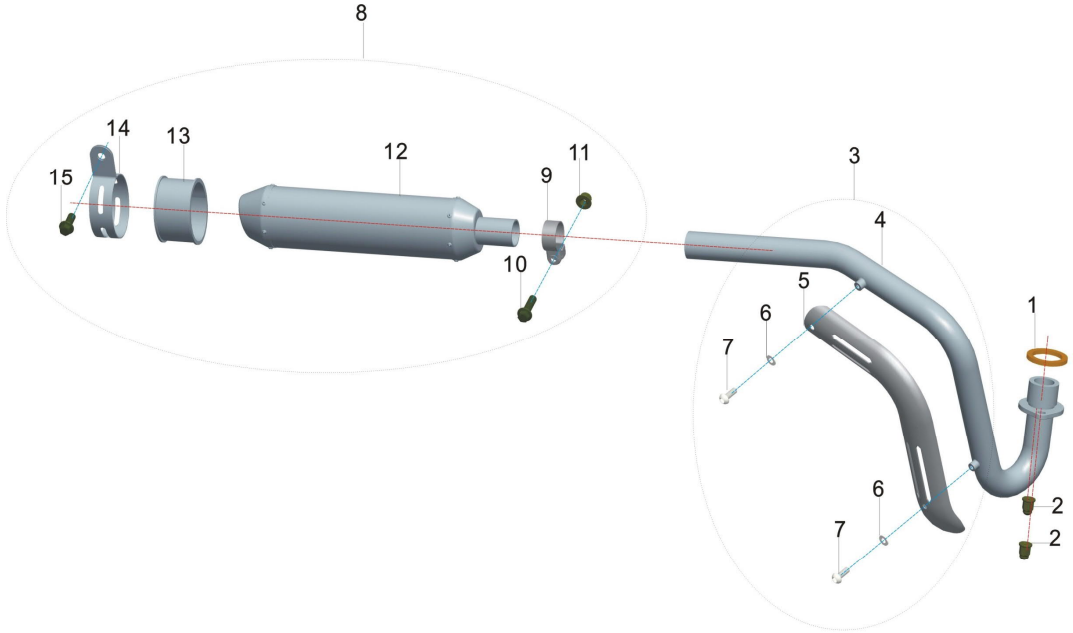


发动机总成 ENGINE ASSY 1

REF.No.	PART No.	DESCRIPTION	QTY
1-1	ZW110LZFW414S01	ZS 110cc/90/70/50 , semi auto, e & k start	1
1-2	ZW50JQFG416S01	spark plugs	1
1-3	N/A	paper gasket	1
1-4	Y21A630001G	manifold, air intake	1
1-5	B057830006003070X	bolt, flanged M6*30	2
1-6	B057830006002570X	bolt, flanged M6*25	2
1-7	N/A	spacer, (composite plastic)	1
1-8	Y80A5801	carburator/KF/PZ22	1
1-9	Y373617G03	clamp, hose Φ8	1
1-10	N/A	hose, overflow	1
1-11	N/A	clamp, duct	1
1-12	Y21A5901aS01	air filter (stainless steel net)	1
1-13	N/A	kick start lever	1
1-14	N/A	Bolt M6x20	1
1-15	G6187M8G	nut, flanged, locking M8	2
1-16	N/A	clamp, hose Φ11	1
1-17	N/A	hose, overflow	1
1-18	G16674M8115125GJ	bolt, flanged M8*115*1.25	1
1-19	G16674M8105125GJ	bolt, flanged M8*105*1.25	1
1-20	N/A	sprocket, engine 420-13T	1
1-21	N/A	locking washer, sprocket	1
1-22	N/A	bolt M6X10	2
1-23	N/A	cover, chain	1
1-24	G16674M635W	bolt, flanged M6*35	1
1-25	G16674M630W	bolt, flanged M6*30	2
1-26	N/A	Bolt M6x20	1
1-27	N/A	gear shift lever	1



消音器总成 EXHAUST ASSY. SECTION 2			
REF.No.	PART No.	DESCRIPTION	QTY
2-1	N/A	seal, exhaust	1
2-2	Y80370009G02	bolt, M6*21	2
2-3	Y276201a	exhuasut assy. (with aluminum muffler)	1
2-4	N/A	exhaust pipe	1
2-5	N/A	shield, exhaust 1	1
2-6	N/A	flat washer Φ6	2
2-7	N/A	bolt M6*10	2
2-8		aluminum muffler assy.	1
2-9	N/A	clamp, duct, exhaust	1
2-10	N/A	bolt, flanged M8*35*1.25	1
2-11	N/A	nut, flanged, locking M8	1
2-12	Y276203	muffler	1
2-13	N/A	rubber band, bracket	1
2-14	N/A	clamp	1
2-15	N/A	bolt, flanged M8*25*1.25	0

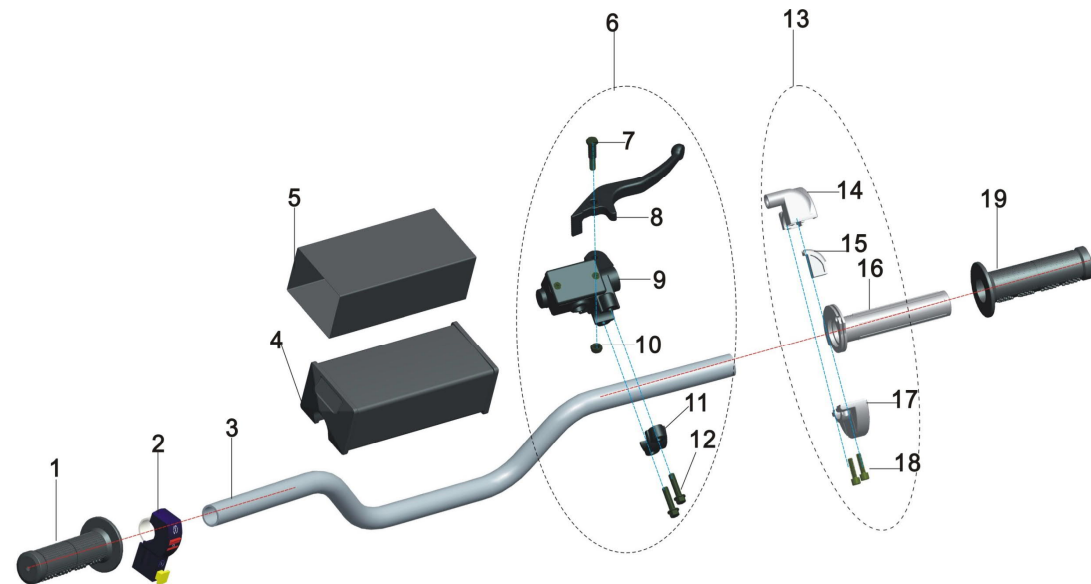


零部件总计金额USD:

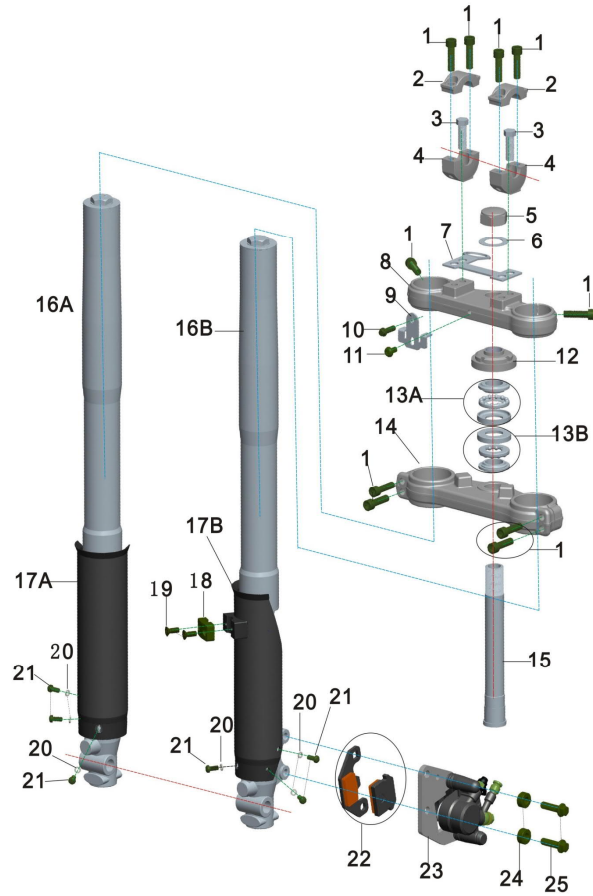
方向把总成 HANDLEBAR ASSY SECTION 3

REF.No.	PART No.	DESCRIPTION	QTY
3-1	Y37110010GR02	grip, left	1
3-2	Y21A7904a	engine stop switch	1
3-3	Y27110001B02B	handel bar, steel	1
3-4	Y37110007B01	foam padding, square	1
3-5	Y3711000801	cover, foam padding	1
3-6	Y271701B01	brake clutch assy.	1
3-7	N/A	bolt, brake lever	1
3-8	Y31170101bB01	lever, brake, front	1
3-9	N/A	master cylinder, front	1
3-10	N/A	nut, locking M6	1
3-11	N/A	bracket, master cylinder, front	1
3-12	N/A	bolt, flanged M6*25	2
3-13	Y381101B01	housing, throttle, assy.	1
3-14	N/A	housing, throttle, top	1
3-15		guide, throttle cable	1
3-16	N/A	insert throttle handle	1
3-17	N/A	housing, throttle, bottom	1
3-18	G701M620GJ	bolt M6*20	1
3-19	Y37110011GR02	grip, Right	2

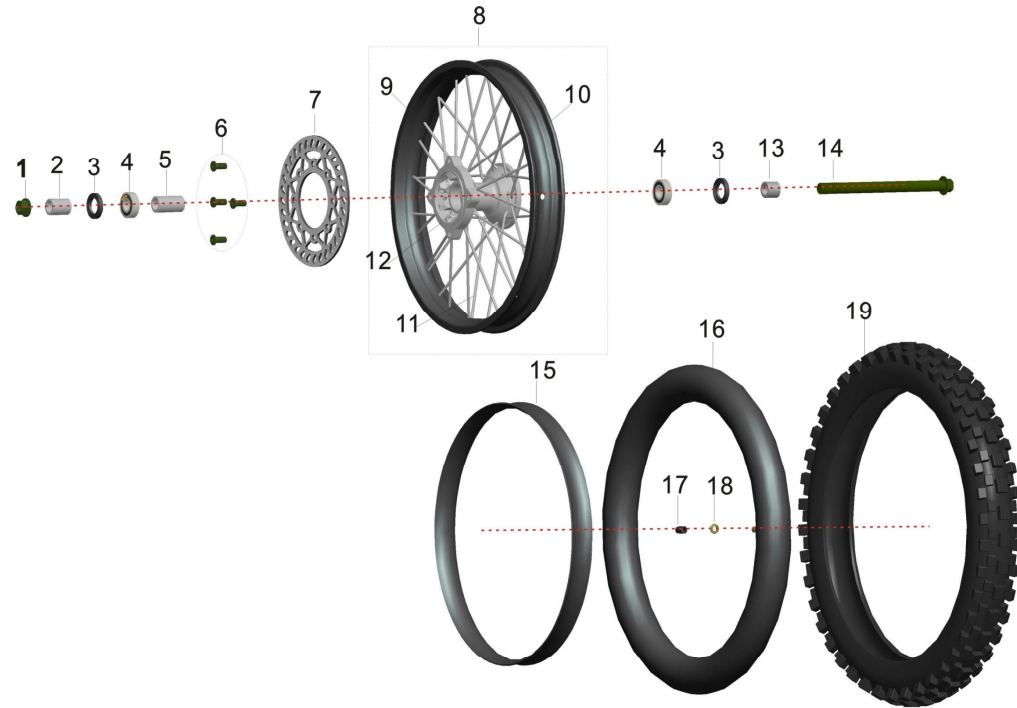
零部件总计金额USD:



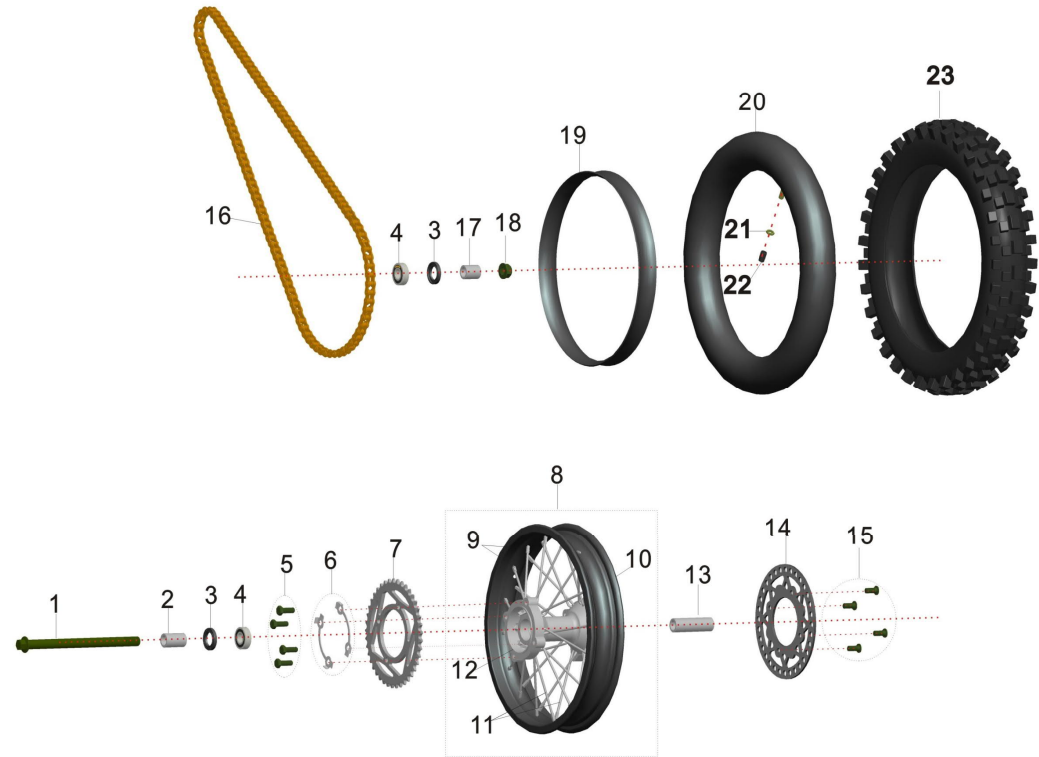
前叉总成 FORK ASSY, FRONT . 4			
REF.No.	PART No.	DESCRIPTION	QTY
4-01	G701M830125GJ	bolt M8*30*1.25	10
4-02	Y37130002S01C	riser, handle bar, top	2
4-03	G5783M825125G	hexagon headed boltGB/T5783	2
4-04	Y37130001S01C	riser, handle bar, bottom	2
4-05	Y37370012W02	nut, cap, steering stem M25	1
4-06	Y31370002W02	plain washer/Φ22.5*Φ36*0.6/	1
4-07	Y373604S02B	bracket, key switch	1
4-08		KTM triple clamp, top	1
4-09	Y33B360028S02B	bracket, number plate, Rh	1
4-10	G16674M616GJ	bolt, flanged M16*16	1
4-11	G701M612G	bolt M6*12	1
4-12	Y31370009D01	nut, M22*1	1
4-13A	Y21A130008	stopper, bearing Φ22.5	1
4-13B		stopper, bearing Φ24	
4-14		KTM triple clamp, top	1
4-15	Y21D130007L	steering stem	4
4-16A	Y271401S01	adjustable inverted fork, RH	1
4-16B		adjustable inverted fork, LH	1
		adjustable inverted fork, RH (upgrade)	1
		adjustable inverted fork, LH (upgrade)	1
4-17A	Y80210002B01	guard, fork, RH	1
4-17B	Y80210003B01	guard, fork, LH	1
4-18	N/A	bracket, brake hose, bottom	1
4-19	N/A	Bolt ST4.8*16	2
4-20	G97F5G	flat washer Φ5	6
4-21	G818M512G	bolt M5*12	6
4-22	Y21D170102	brake pads, front, RH	1
4-23	SEE SECTION 14	disc, brake, front	1
4-24	Y87361401W02	front axle spacer Φ8.5*Φ18*6	2
4-25	G16674M830125G	bolt, flanged M8*30*1.25	2



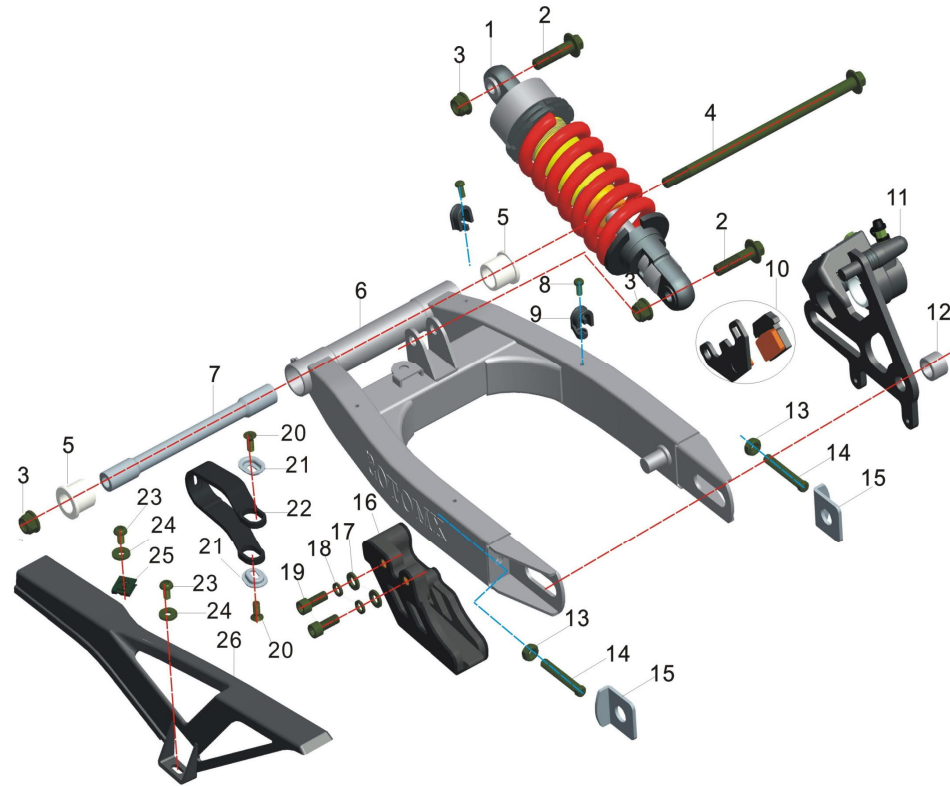
零部件总计金额USD:			
前轮总成 FRONT WHEEL ASSY. 5			
REF.No.	PART No.	DESCRIPTION	QTY
5-1	G6187M14150G	nut, flanged, locking M14*1.5	1
5-2	Y31160008aW02	front axle spacer $\Phi 15 \times \Phi 22 \times 25$ , LH	1
5-3	Y80A160103	seal, dust 35*22*6	2
5-4	Y80A280304	front rim bearing 6202	2
5-5	Y80A160305	spacer $\Phi 15 \times \Phi 22 \times 43$	1
5-6	Y37370006aG02	bolt $\Phi 9 \times 4 \times M8 \times 16$	4
5-7	Y27170001	disc, brake, front $\Phi 180$	1
5-8	Y80A1601B01	rim assy. Front, 1.4*14"	1
		rim assy. Front, 1.4*12"	1
5-9	Y80A160107	nut, spokes	32
5-11	Y80A160106	spokes	
5-10	Y80A160101B01	rim, front 1.4*14"	1
5-12	Y80A160102S01	hub, front	1
5-13	Y31160007W02	front axle spacer $\Phi 15 \times \Phi 22 \times 19.5$	1
5-14	Y32160001G02	axle	1
5-15	Y21A160004	inner tube protector band	1
5-16	Y21D160003	inner tube 60/100-14	1
5-17	G6170M8G	nut M8	1
5-18	Y37160005B01	cap, air valve	1
5-19	Y21D160002	tire, front, 14"	1
零部件总计金额USD:			



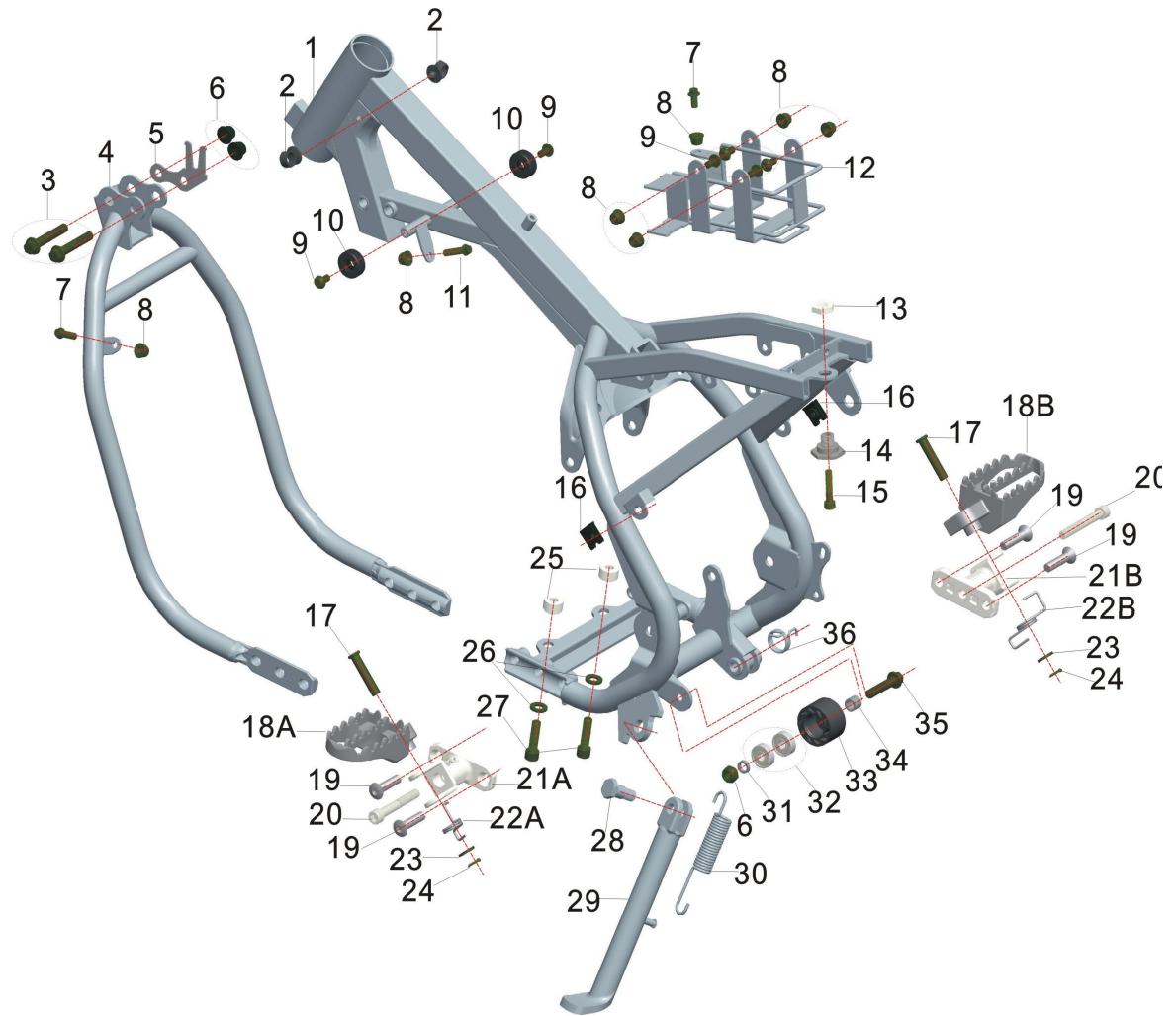
后轮总成 REAR WHEEL ASSY. 6			
REF.No.	PART No.	DESCRIPTION	QTY
6-1	Y32160001G02	axle	1
6-2	Y30160007aW02	spacer $\Phi 15 \times \Phi 22 \times 35$	1
6-3	Y80A160103	seal, dust $35 \times 22 \times 6$	2
6-4	Y80A280304	front rim bearing 6202	2
6-5	G5783M825125GJ	bolt M8*25*1.25	4
6-6	Y80360006W02	locking washer, sprocket	2
6-7	Y8028001042041B01	sprocket, rear 420-41T/ $\Phi 76 \times \Phi 92$	1
6-8	Y80A2801B01	rim, rear assy. 1.85*12"	1
6-9	N/A	nut, spokes	32
6-11	N/A	spokes	32
6-10	N/A	rim, rear 1.85*12"	1
6-12	N/A	hub, front	1
6-13	Y80A280305	spacer $\Phi 15 \times \Phi 22 \times 73$	1
6-14	Y27170001	disc, brake, rear $\Phi 180$	1
6-15	Y37370006aG02	bolt $\Phi 9 \times 4 \times M8 \times 16$	4
6-16	G14212L42098	chain 420-98L	1
6-17	Y33160007aW02	spacer $\Phi 15 \times \Phi 22 \times 35$	1
6-18	G6187M14150G	nut, flanged, locking M14*1.5	1
6-19	N/A	inner tube protector band	1
6-20	Y80280003	inner tube 60/100-12	1
6-21	G6170M8G	nut M8	1
6-22	Y37160005B01	cap, air valve	1
6-23	Y80A280002c	tire, rear, 12"	1



零部件总计金额USD:			
后平叉总成 REAR SWING ARM ASSY: 7			
REF. No.	PART No.	DESCRIPTION	QTY
7-1	Y21D2701dB01	rear shock L=260mm	1
7-2	G16674M1040125GJ	bolt, flanged M10*40*1.25	2
7-3	G6187M10125G	nut, flanged, locking M10*1.25	3
7-4	Y21D260001G02	bolt, flanged M10*210	1
7-5	Y38210036W01	spacer, $\phi 18 * \phi 25 * \phi 30 - 3.5 * L23.5$	2
7-6	Y272603S02B	swing arm, rear, grey	1
7-7	Y27260003	spacer bush	1
7-8	G819M512G	bolt M5*12	2
7-9	Y31210021B01	bracket, brake hose	2
7-10	Y272901B01	brake pads, rear	1
7-11	SEE SECTION 14	caliper, brake, rear(Unavailable)	1
7-12	Y33160007aW02	spacer $\phi 15 * \phi 22 * 10$	1
7-13	Y30370012G02	nut M8	2
7-14	Y30370013G02	rear jack bolts M6*50	2
7-15	Y27260018W02	adjuster, wheel	2
7-16		plate, chain guide	1
7-17	G97F8G	flat washer	1
7-18	G93F8G	lock washer	1
7-19	G701M820125GJ	bolt M8*20*1.25	2
7-20	G819M512G	bolt M5*12	2
7-21	Y37370007G02	washer, oval	2
7-22	Y27340002B01	guide, chain	1
7-23	G702M612G	bolt M6*12	2
7-24	G96F6G	flat washer $\phi 6$	2
7-25	Y37370014G02	Clip nutM6	1
7-26	Y37220001B01	guard, chain	1

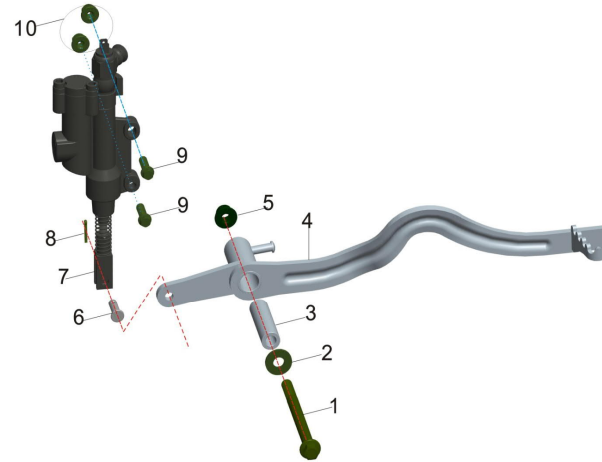


零部件总计金额USD:			
车架和尾架总成 FRAME AND SUB-FRAME 8			
REF.No.	PART No.	DESCRIPTION	QTY
8-1	Y271802S02B	frame, grey	1
8-2	Y388003B01	wairharness brakcet	2
8-3	G16674M850125G	bolt, flangedM8*50*1.25	2
8-4		Frame under beam	1
8-5		Igniter bracket	1
8-6	G6187M8G	nut, flanged, locking M8	3
8-7	G16674M616G	Hex flange boltM6*16	2
8-8	G6187M6G	nut, flanged, locking M6	7
8-9	G702M625G	bolt M6*16	4
8-10	Y39340049B01	Bushing, Fuel Tank $\phi 6^* \phi 10^* \phi 13.5^* \phi 20^* \phi 25^*$	2
8-11	G16674M625G	Hex flange bolt6*25	1
8-12		Bracket, Battery	1
8-13	FR1000370035S01	Nut,M12*1	1
8-14	FR1000370036S01	Bolt, Seat,M12*1* $\phi 6.5^* \phi 19^* 18.5$	1
8-15	G701M630G	Bolt, M6*30	1
8-16	Y37370014G02	Clip nutM6	1
8-17	G882F843G	pin, rod $\phi 8^* 43$	2
8-18A	Y31240001S02B	foot rest, LH	1
8-18B	Y31240002S02B	foot rest, RH	1
8-19		Hexagon countersunk head screwm8*35	4
8-20	G701M860125GJ	bolt M8*60*1.25	2
8-21A		foot rest, left	1
8-21B		foot rest, right	1
8-22A	Y31360038W02	spring, foot rest, RH	1
8-22B	Y31360037W02	spring, foot rest, LH	1
8-23	G97F8G	flat washer $\phi 8$	2
8-24	G91F225G	cotter pin	2
8-25		spacer $\phi 15^* \phi 22^* 35$	2
8-26		washer $\phi 8.5^* \phi 22^* 2$	2
8-27	G701M830125GJ	bolt M8*30*1.25	2
8-28	Y31370011G02	bolt M10*25	1
8-29	Y21A2302S02B	kick stand	1

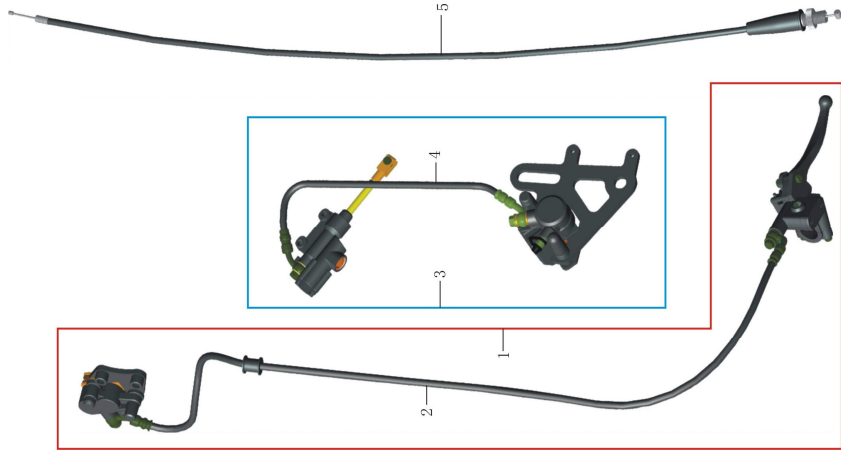




8-30	Y21A360002W02	spring, kick stand	1
8-31	Y313614W02	Spacer/ $\phi 8^* \phi 12^* 3$	1
8-32	G276608ZZ	bearing 608ZZ	2
8-33	Y37260015B01	roller, guide, chain	1
8-34	Y313614aW02	spacer $\phi 8^* \phi 12^* 10$	1
8-35	G16674M850125G	Hex flange boltM8*50	1
8-36	Y27360002aW02	spring, brake lever	1
	零部件总计金额USD:		
刹车机构 BRAKE ASSY. 9			
REF.No.	PART No.	DESCRIPTION	QTY
9-1	G16674M8100125G	Hex flange boltM8*100	1
9-2		washer $\phi 8.5^* \phi 22^* 2$	1
9-3	Y2725000102W02	Brake lever spacer	1
9-4	Y27250001S02B	ever, brake, rear	1
9-5	G6187M8G	nut, flanged, locking M8	1
9-6	N/A	pin, lever, brake(Unavailable)	1
9-7	SEE SECTION 14	master cylinder, rear(Unavailable)	1
9-8	N/A	cotter pin $\phi 2$	1
9-9	N/A	bolt, flanged M6*20	2
9-10	N/A	nut, flanged, locking M6	1
	零部件总计金额USD:		

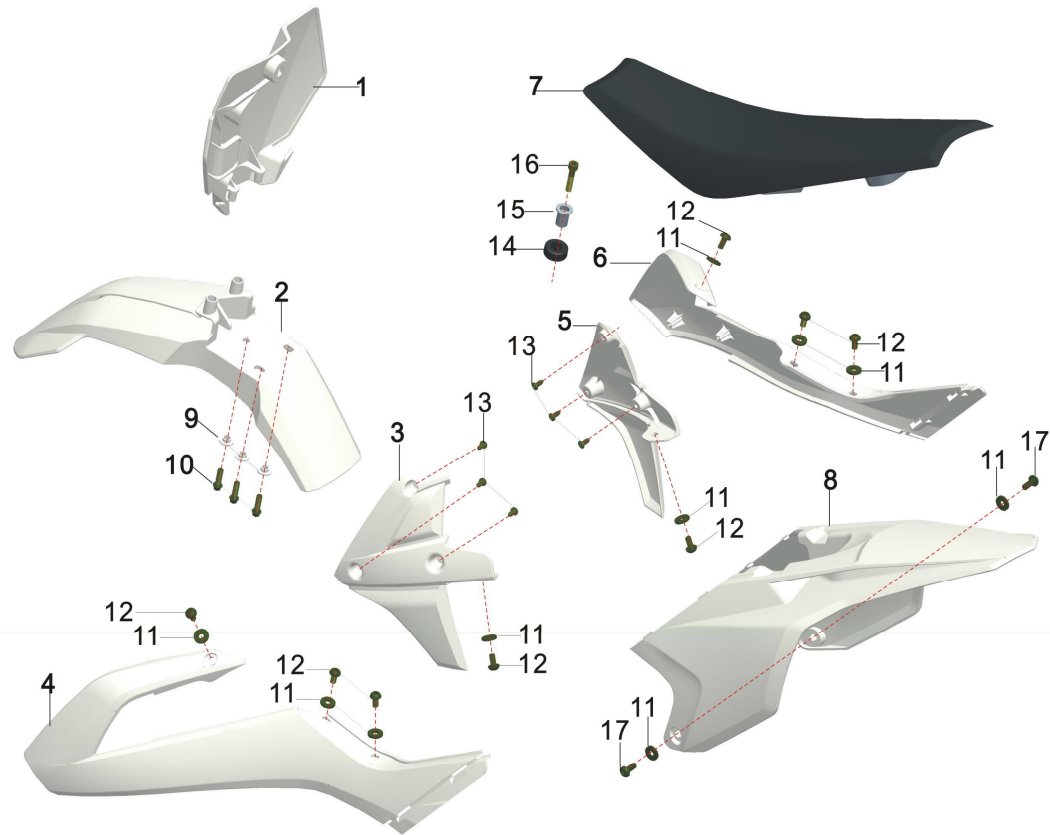


前后碟刹器总成/油门线 BRAKE ASSY.2. FT & RR AND CABLE,THROTTLE . SECTION 10			
REF.No.	PART No.	DESCRIPTION	QTY
10-1	Y271701B01	brake assy., front	1
10-2	N/A	hose, brake,front	1
10-3	Y272901B01	brake assy., rear	1
10-4	N/A	hose, brake,rear	1
10-5	Y21A1202B01	cable, throttle	1
零件总计金额USD:			



外罩总成/坐垫 FENDER AND SEAT ASSY. 11

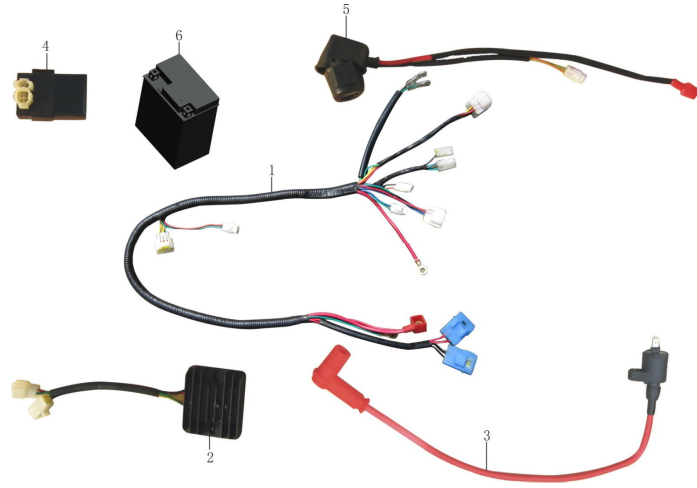
REF. No.	PART No.	DESCRIPTION	QTY
11-1	Y27210001W01	number plate, front, white	1
11-2		fender, front, white	1
11-3	Y27210010W01	fairing, fuel tank, white, RH	1
11-4	Y27210004R01	fairing, fuel tank, white, RH	1
11-5	Y27210011W01	fairing, fuel tank, white, LH	1
11-6	Y27210005R01	fairing, fuel tank, white, LH	1
11-7	Y273201B01	seat	1
11-8	Y27310001W01	fender, rear, white	1
11-9	Y37360003aV02	Flange liner	3
11-10	G16674M616G	Hex flange boltM6*16	3
11-11	G96F6G	washer Φ6*Φ16*1	8
11-12	G702M610G	bolt M6*10	8
11-13	G845ST4212G	Cross recessed pan head tapping screws	6
11-14	Y39340049B01	Bushing, Fuel Tank $\phi 6^* \phi 10^* \phi 13.5^* \phi 20^* \phi 25^*$	1
11-15	Y27190101W02	Tank positioning spacer	1
11-16	G701M6306GJ	bolt M6*30	1
11-17	G702M616G	bolt M6*16	1



	零部件总计金额USD:		
油箱总成 FUEL TANK ASSY 12			
REF.No.	PART No.	DESCRIPTION	QTY
12-1	Y37210028aB01	cap, breather hose (with hose)	1
12-2	Y21A340010S01	hose, breather	1
12-3	FR10001902B01	fuel cap	1
12-4	Y271901aB01	fuel tank	1
12-5	Y373617G03	clamp, hose $\Phi 6$	1
12-6		hose, overflow1	1
12-7	Y373617G03	clamp, hose $\Phi 8$	5
	Y391903	Fuel Tank Valve	1
12-9		hose, overflow2	1
12-10	Y371904a	Fuel Filter	1
12-11		hose, overflow2	1



零件总计金额USD:			
电控件 ELECTRICAL COMPONENTS .13			
REF.No.	PART No.	DESCRIPTION	QTY
13-1	Y278001	wiring harness	1
13-2	Y21A8501a	rectifier	1
13-3	Y808301R01	Ignition coil	1
13-4	Y808401	CDI	1
13-5	Y378202	solenoid, starter	1
13-6	Y21A8101c	battery 12V,AH	1



零部件总计金额USD:			
随车工具 TOOL KIT .14			
REF.No.	PART No.	DESCRIPTION	QTY
	Y37040002		1
	Y37040005		1
	989000332-01		1
	989000478-02		1
	988000-207 REV:2		1
	988000-208 REV:2		1
	988000-614 REV:2		1
	98900417-01ENG		1
	98900417-01ST		1
	Y21D040025		1
	Y21D040026		1
	988000-206 REV:1	instrction booklet	1
	Y21D040027		
		sticker	















































































































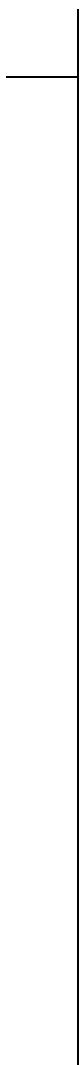


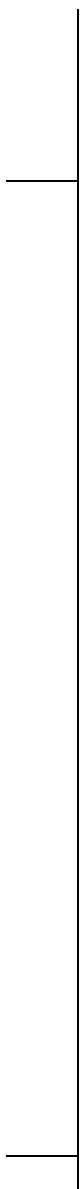






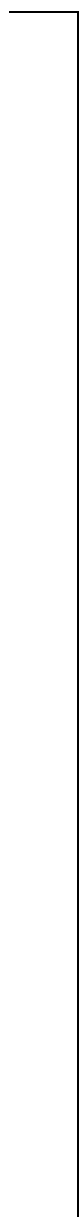










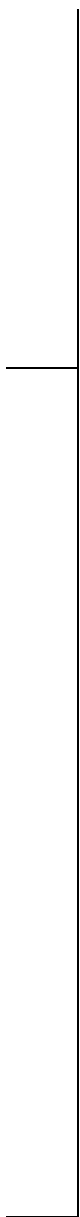


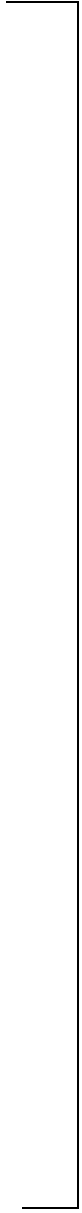


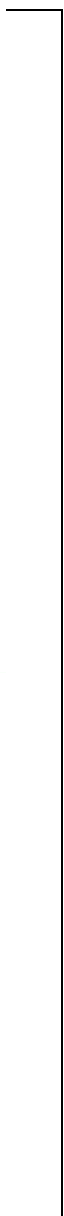


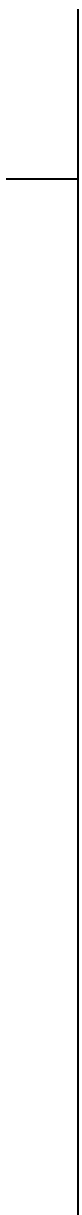
—

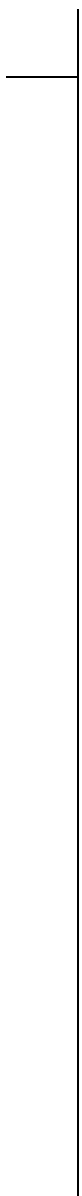
)

















































































































































































































































































































































































































































































































































































































































































































































1	0	\$0.00	\$0.00	5-15	21D17010	brake pac	摩擦片(总	1	0	\$0.00	\$0.00
---	---	--------	--------	------	----------	-----------	-------	---	---	--------	--------

















































































































































5-15	21D17010	brake pad	摩擦片(总)	1	0	\$0.00	\$0.00	5-15	21D17010	brake pad	摩擦片(总)	1	0	\$0.00	\$0.00	5-15	21D17010	brake pad	摩擦片(总)	1	0	\$0.00	\$0.00	5-15	21D17010	brake pad
------	----------	-----------	--------	---	---	--------	--------	------	----------	-----------	--------	---	---	--------	--------	------	----------	-----------	--------	---	---	--------	--------	------	----------	-----------

















































































































































摩擦片(总	1	0	\$0.00	\$0.00	5-15	21D17010	brake pad	摩擦片(总	1	0	\$0.00	\$0.00	5-15	21D17010	brake pad	摩擦片(总	1	0	\$0.00	\$0.00	5-15	21D17010	brake pad	摩擦片(总	1	0
-------	---	---	--------	--------	------	----------	-----------	-------	---	---	--------	--------	------	----------	-----------	-------	---	---	--------	--------	------	----------	-----------	-------	---	---

















































































































































\$0.00	\$0.00	5-15	21D17010	brake pad	摩擦片(总)	1	0	\$0.00	\$0.00	5-15	21D17010	brake pad	摩擦片(总)	1	0	\$0.00	\$0.00
--------	--------	------	----------	-----------	--------	---	---	--------	--------	------	----------	-----------	--------	---	---	--------	--------